

QUIC-SLIDE SWING-DOWN[®] BA BRACKET

Parts and Information Bulletin

QSSD-1020

Models Available:

QSSD-5: 30-Min. 4500 PSI Cylinder

QSSD-6: 45-Min. 4500 PSI Cylinder

QSSD-7: 60 Min. 4500 PSI Cylinder

QSSD-LB: Unit Less BA Bracket(Choose the appropriate Walkaway[®] bracket needed)

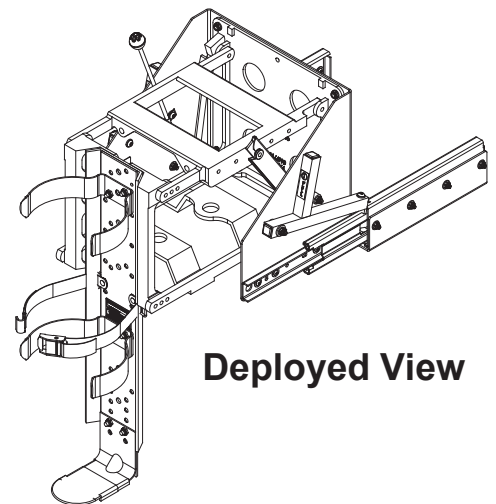
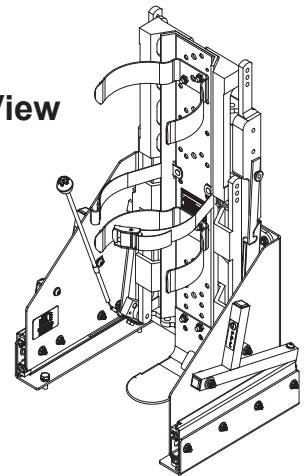
The QUIC-SLIDE SWING DOWN BA BRACKET is used in high apparatus compartments.

Specs:

- For compartments with 24-1/2" H x 12" D minimum usable space
- Lowers BA valve up to 14" from compartment shelf
- Extends BA harness approx. 21" from the apparatus sidewall



Stowed View

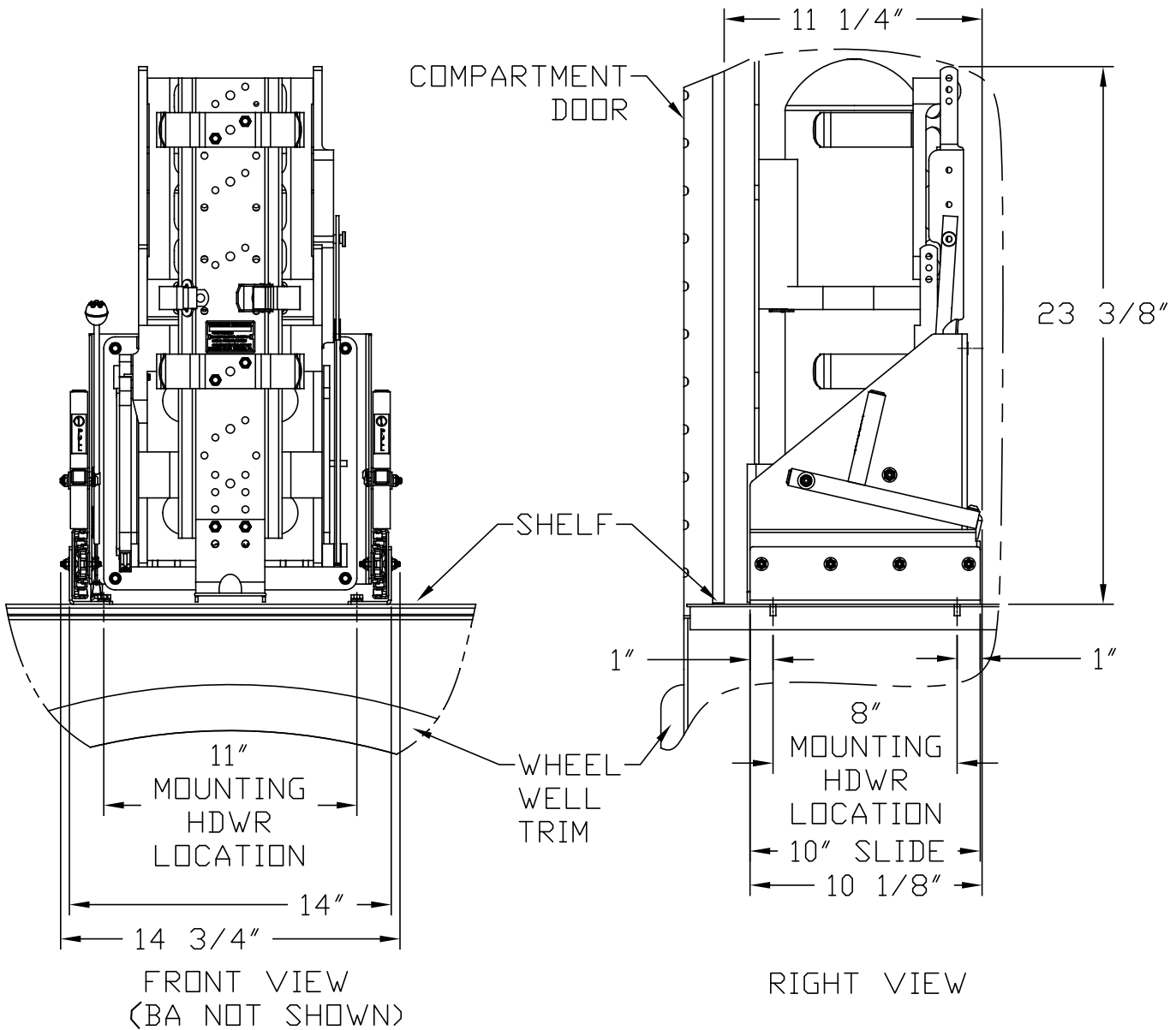
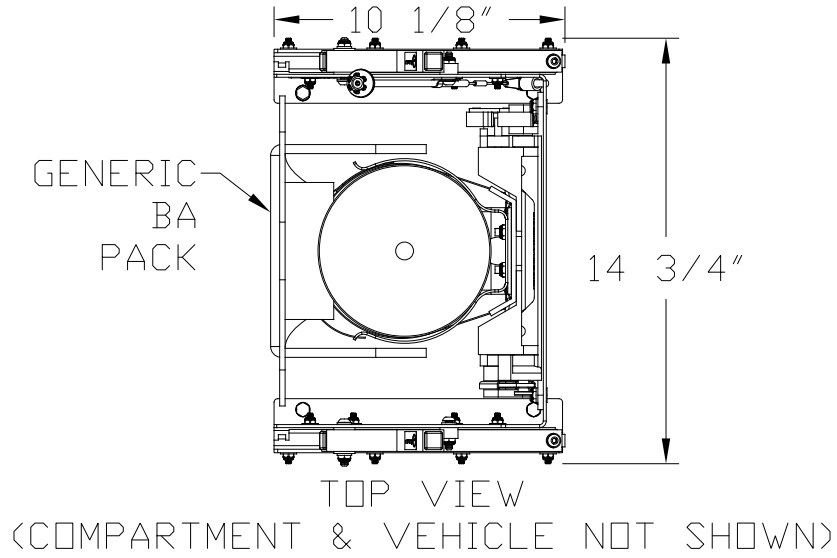


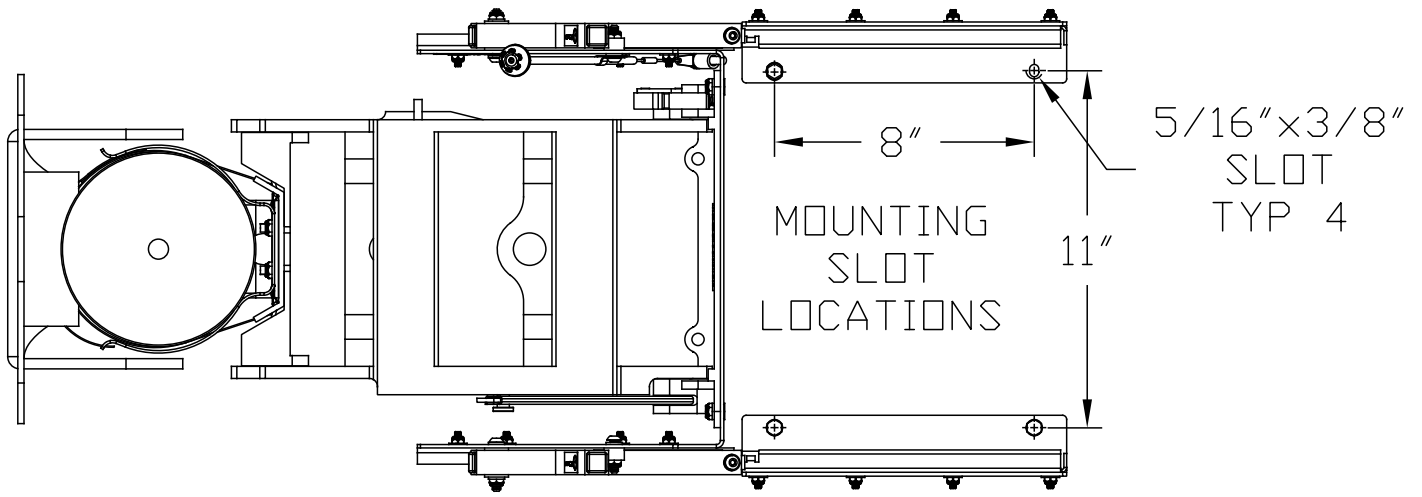
Deployed View

Scan this code for
more information

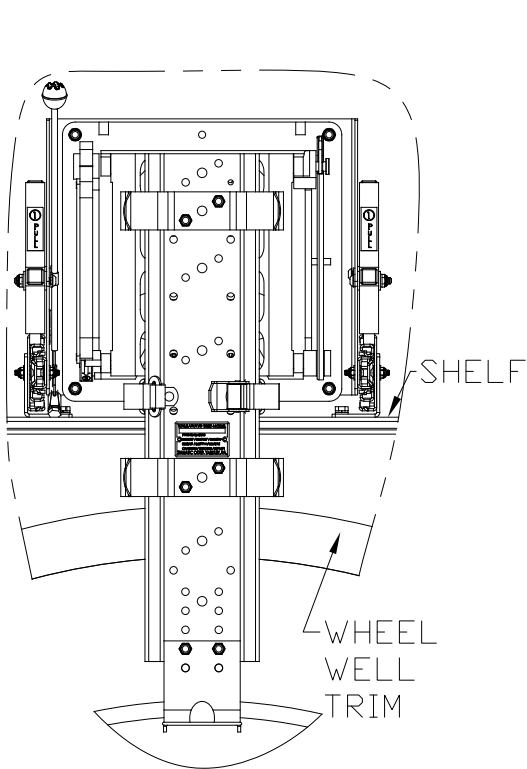


Mounting & Overall Dimensions
Mount using 5/16" hardware(not supplied)

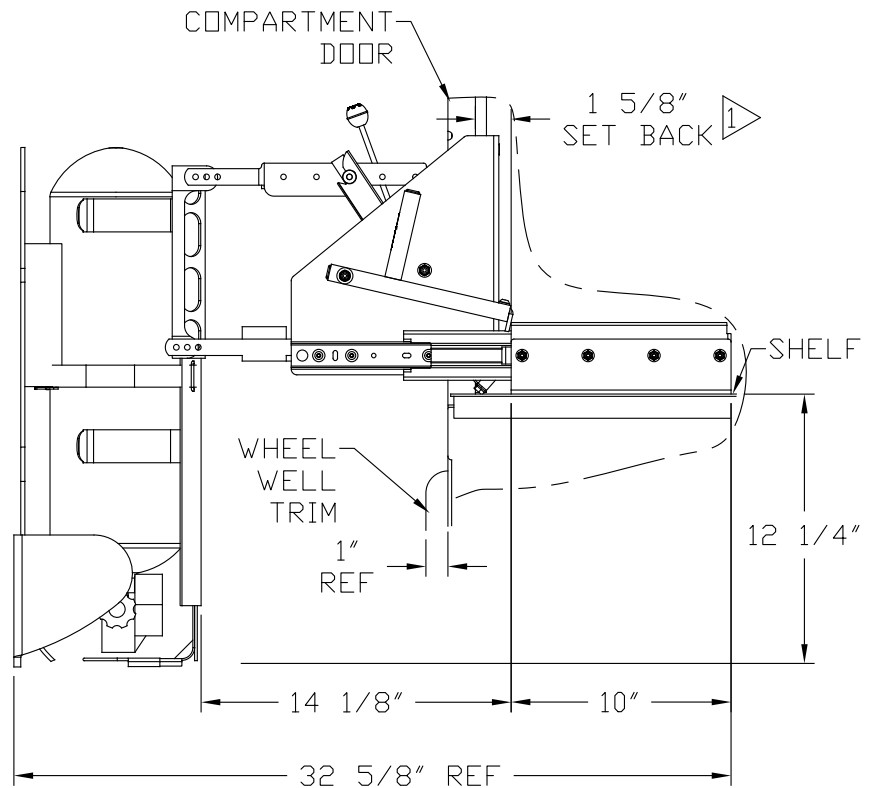




TOP VIEW
(COMPARTMENT & VEHICLE NOT SHOWN)



FRONT VIEW
(SCBA NOT SHOWN)



Distance Varies by BA Pack

Right View

1 MINIMUM SET BACK IS BASED ON COMPARTMENT DOOR CLEARANCES, BA PACK ... ETC.

Adjustments

The height of the deployed bracket can be adjusted by moving the 1/4-20 x 1-1/4" hex bolt (26) on the side of the Quic Swing as shown below. There are 5 positions available, the centre position is used when shipped from the factory.

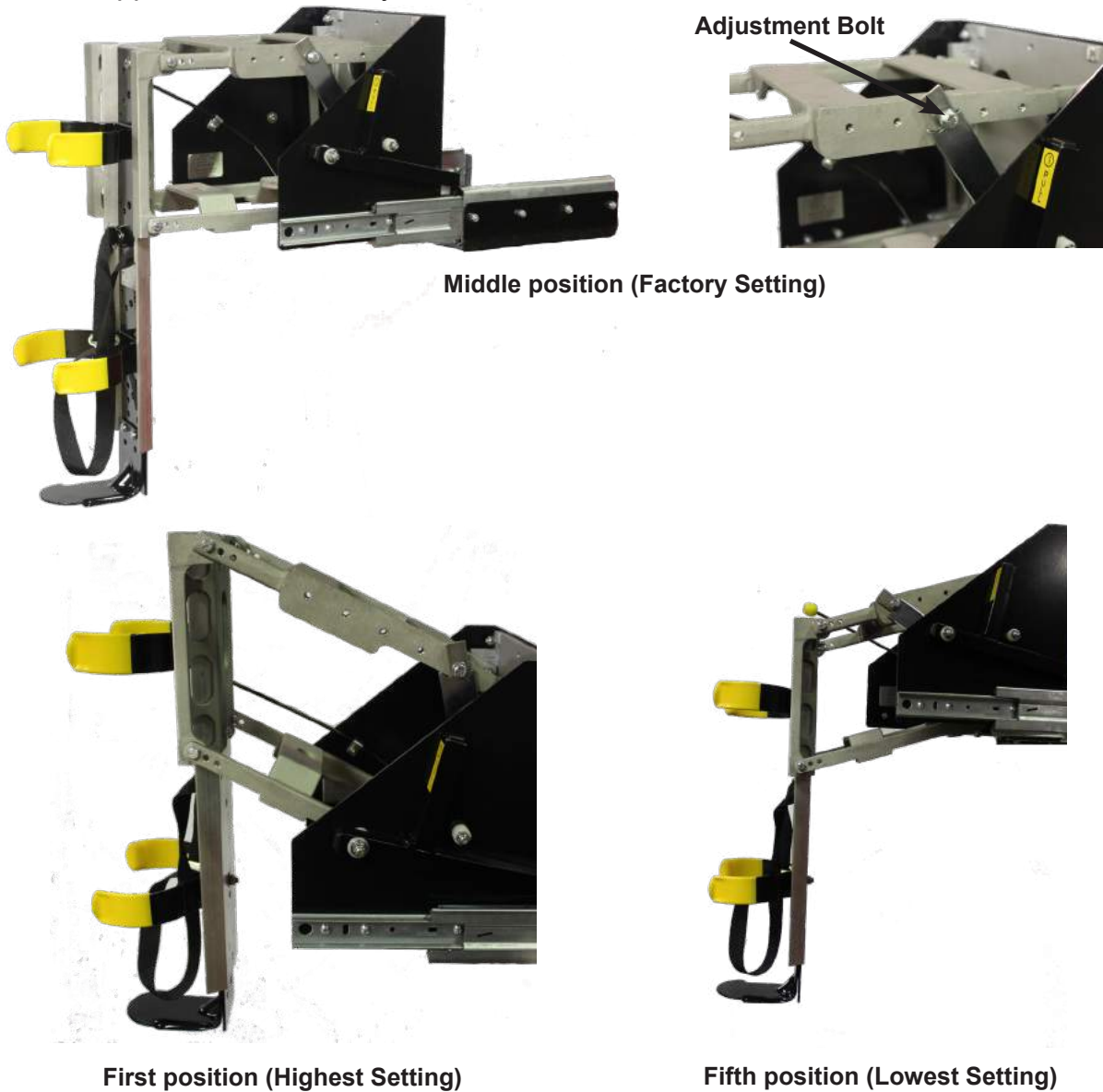


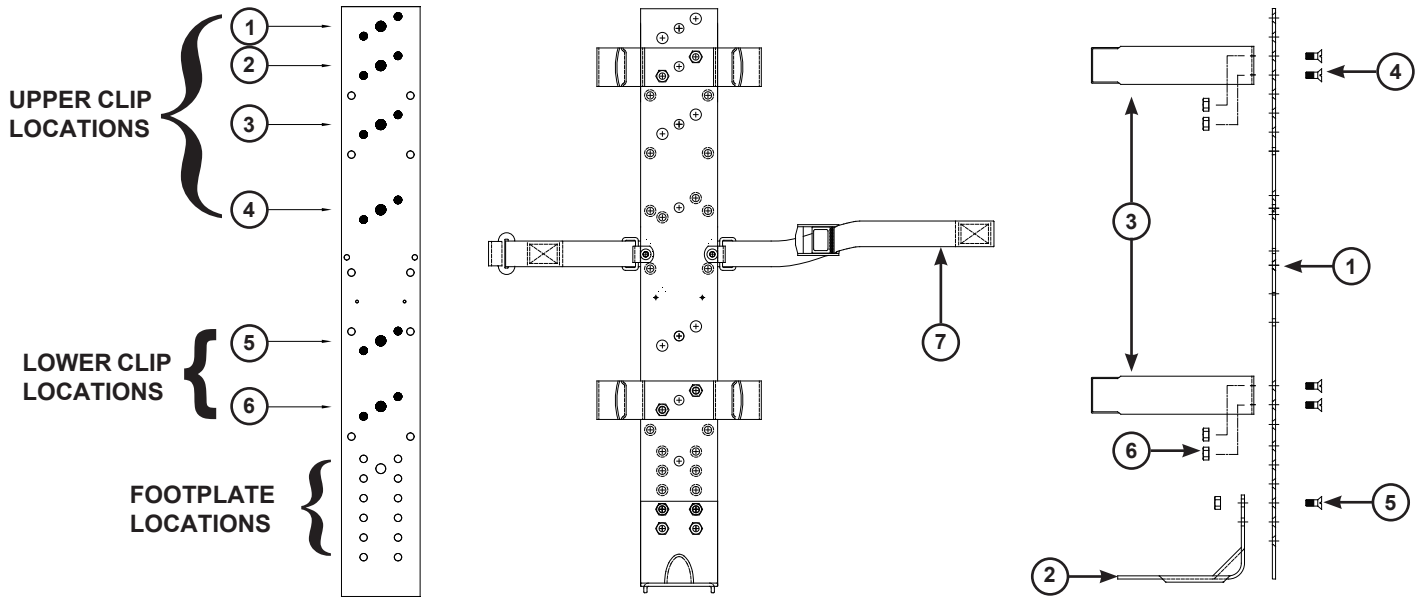
FIG. 7 MODIFIED QUIC-SWING® HOLDER MULTIPLE POSITION DIAGRAMS

IMPORTANT: THE WARNING LABEL SHOULD BE MOUNTED NEXT TO SWING UNITS AS A VISIBLE REMINDER THAT THE QUIC SWING MAY MOVE OUT QUICKLY WHEN THE RELEASE KNOB IS PULLED.



WARNING LABEL PROVIDED

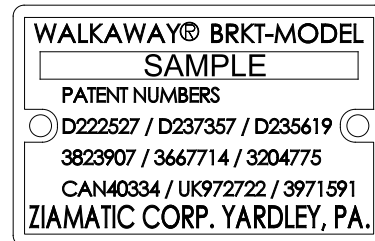
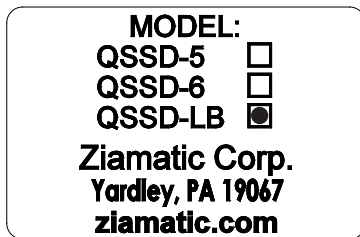
The Walkaway® Spring Clip bracket may need to be adjusted to better fit your BA so to not interfere with your BA harness. If adjustment is necessary, remove the bracket from the MQSD to access the clip and footplate mounting hardware. Then remove the 1/4" hardware retaining the clip/footplate to the backplate. There are 4 locations for the upper clip, 2 for the lower clip and 6 for the footplate (See below).



Item	Part No.	Description	Qty
1	UN	Universal Backplate	1
2	NSF	Footplate	1
3*	LP-5 LP-6	5" Low Profile Clip 6" Low Profile Clip	2 2
4	9010-462509	Screw, 1/4-20 x 9/16 Torx, FH, ZPS	4
5	9010-462510	Screw, 1/4-20 x 5/8 Torx, FH, ZPS	2
6	9013-172501	Nut, 1/4-20, Nylon Lock, Low Pro	6
7	PHS	Positive Holding Strap	1

*If you have model QSSD-LB, refer the model tag attached to the Walkaway® Spring Clip bracket to determine the clips attached.

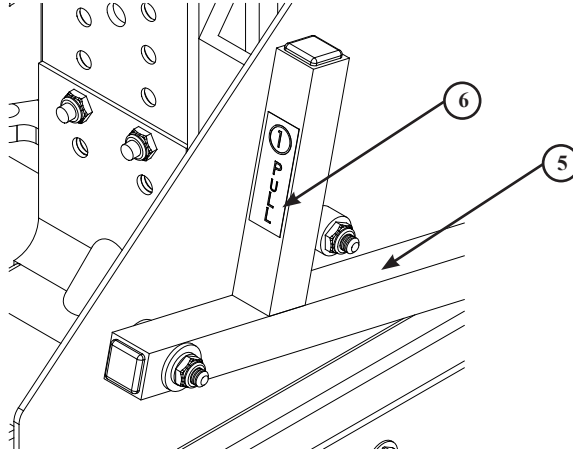
Model Tags



To Use:

Item numbers in parenthesis ()

The following yellow labels are on both handles to aid in deployment.



Deployment:

1. Pull on both latch bar handles to unlock(5).
2. Slide the shroud(3) out towards you until it locks in the out position.
3. Hold the pack into the bracket and pull the release knob (21). Then lower the BA until it fully swings down into the lowered position.
4. Loosen the PHS strap by pressing down on the buckle lever, unhook the buckle.
5. Pull the pack/cylinder out of the spring clips.

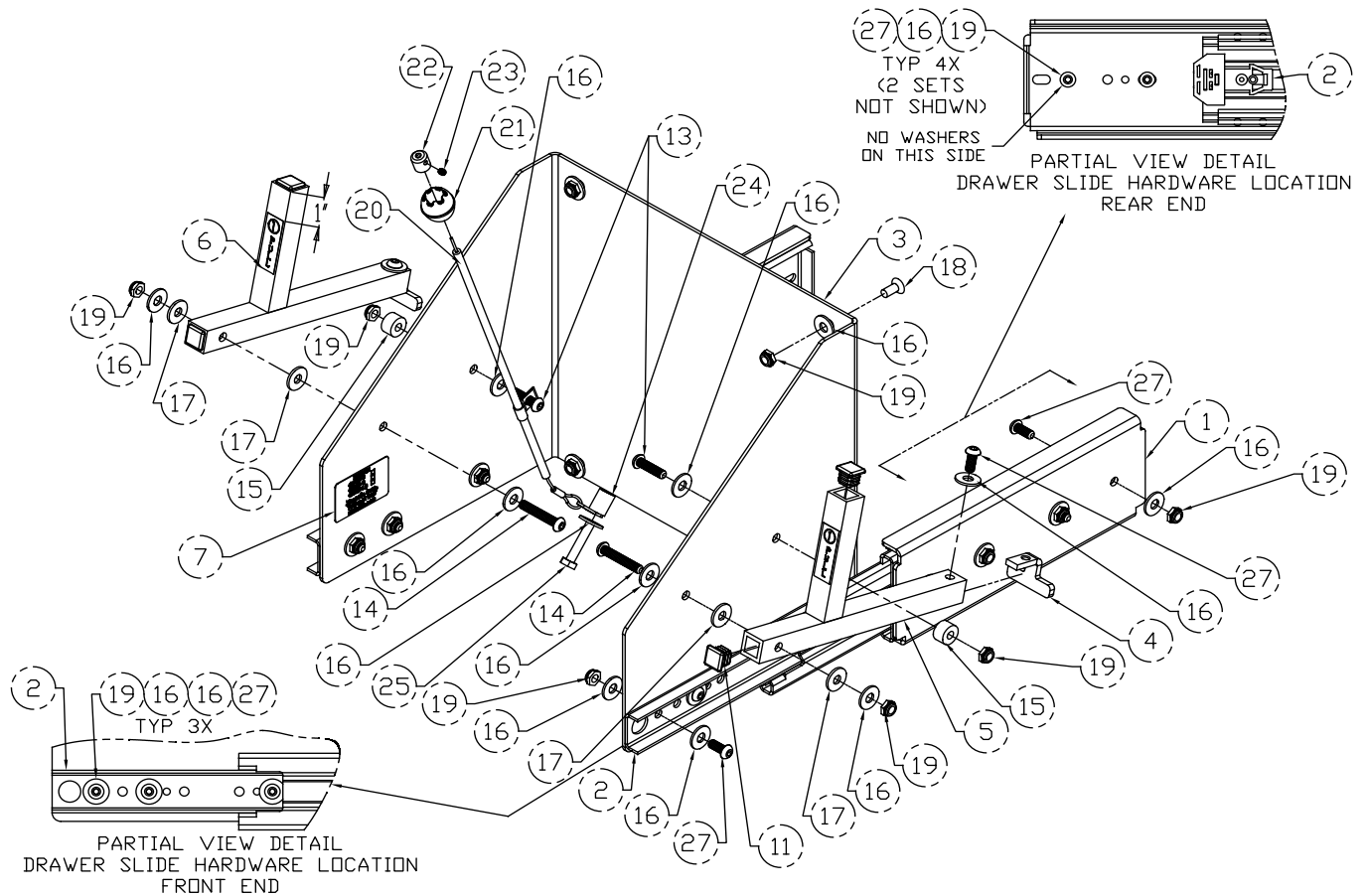
Storing:

1. Push the pack/cylinder in the Walkaway® Spring Clip bracket.
2. Secure the PHS strap around the pack/cylinder.
3. Raise the BA until it locks into the full up position.
4. Pull back on both latch bars and slide the shroud (3) in until it locks into position.

Annual Maintenance

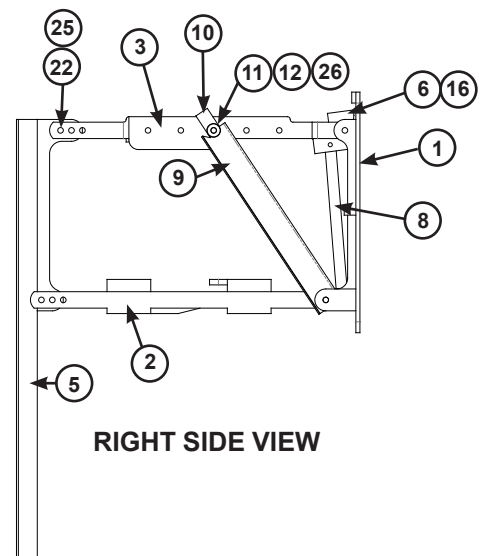
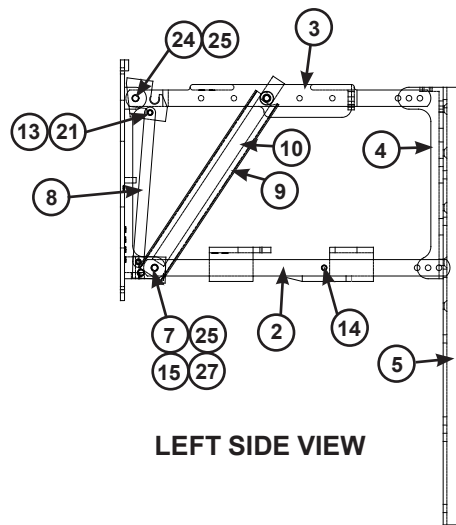
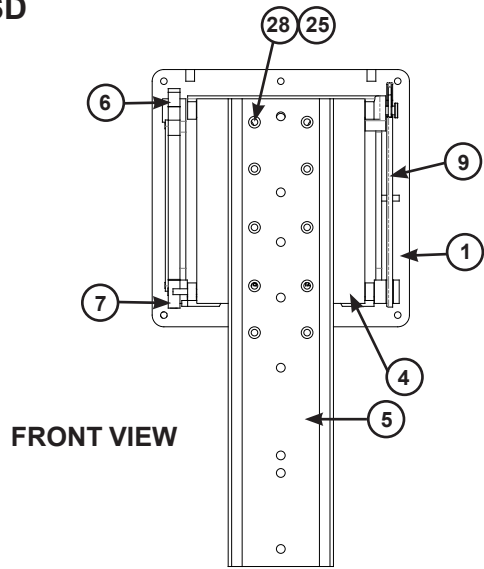
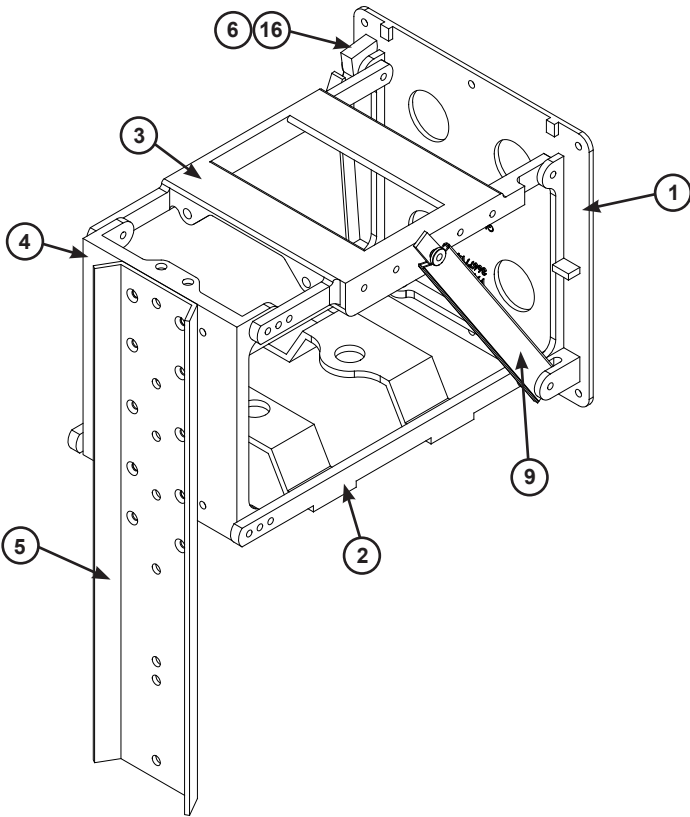
- Inspect all metal parts for corrosion.
- Inspect pull release cable and PHS strap; replace if showing excessive wear or fraying.
- The protective coating on the spring clips and footplate should be replaced when the coating has worn through, exposing the bare metal.

Parts Diagrams



Item #	Part #	Description	Qty.
1	1020-310-121	Angle, Mounting	2
2	1020-310-134	Drawer Slide, 10" 14" available upon request	2
3	1020-410-101	Shroud	1
4	1020-310-115	Angle, Latch Bar	2
5	1020-410-111	Latch Bar	2
6	1020-410-109	Label "PULL"	2
7	1020-410-105	Model# Plate	1
11	3093-400-157	Plug, 3/4" Square	4
13	9010-352516	Screw, 1/4-20 x 1" Button HD ZPS	2
14	9010-352524	Screw, 1/4-20 x 1-1/2" Button HD ZPS	2
15	1020-310-118	Spacer Stop, Latch Bar, Nylon	2
16	9014-152500	Flat Washer, 1/4" ZPS	25
17	1020-310-120	Flat Washer, 1/4 x 1/2x.055" Nylon	4
18	9010-462510	Screw, 1/4-20 x 5/8" 100° Torx FH ZPS	4
19	9013-172500	Locknut, 1/4-20, Lo-Pro, ZPS	22
20	1020-410-107	Latch Release Cable Assembly	1
21	1045-320-169	Knob, Pull Release	1
22	1045-320-185	Stop Sleeve	1
23	9010-391603	Setscrew, 8-32 x 3/16", FP ZPS	1
24	1029-105-137	Cable Spacer	1
25	9010-102520	Screw, 1/4-20 x 1-1/4" HH ZPS	1
27	9015-352510	Screw, 1/4-20 x 5/8", Button Hd	16

FIG. 5 MODEL MQSD



ITEM NO.	P/N	DESCRIPTION	QTY.
1	1020-000-105	Base Casting	1
2	1020-000-110	Upper Arm Casting	1
3	1020-000-115	Lower Arm Casting	1
4	1020-000-130	Platform Casting - Recessed for	1
5	1020-000-125	MQS Aluminum Plate - Extruded	1
6	1020-000-132	Latch Block - Lock	1
7	1020-000-135	Latch Block - Release	1
8	1020-000-140	Latch Rod	1
9	1020-410-119	Lock Lever, QSSD	1
10	1020-000-150	Lock Lever Guide	1
11	1020-000-155	Lock Lever Collar - Part "A"	1
12	1020-000-160	Lock Lever Collar - Part "B"	1
13	1020-000-162	Bushing - 1/4" O.D.	2
14	1020-000-165	Stud - From 1/4-20 Bolt	1
15	1020-000-167	Bushing - 5/16" O.D.	1
16	1020-000-170	Spring - Compression	1
21	9010-211908	Bolt 10-24 x 1/2 Pan Head, Slotted	2
22	9010-102516	Bolt 1/4-20 x 1 Hex. Hd.	6
24	9010-102532	Bolt 1/4-20 x 2 Hex. Hd.	2
25	9013-172500	Nut - ESNA Locknut	12
26	9010-102520	Bolt - 1/4-20 x 1-1/4	1
27	9010-102524	Bolt - 1/4-20 x 1-1/2	1
28	9010-162512	Bolt - 1/4-20 x 3/4 Fl. Hd., Phil.	4
31	1020-000-190	Label - Warning (Swing Down)*	1

*See page 4

'Global Company, Global Reach'