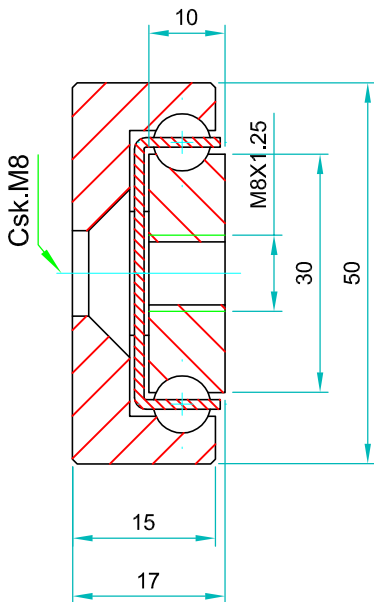


Full traversing is 1 x D when the slide is mounted in the open position. Single extension is 0.5 x D



SOWST-50 weighs 5.64kg/m. Sold as singles				Drilling pattern		
Part number	Closed Length;L	Extension Length;D	Load per pair; kg	"A"	"B"	"C"
4015.SOWST050.0200	200	200	360	50	-	-
4015.SOWST050.0250	250	250	380	50	-	50
4015.SOWST050.0300	300	300	400	50	-	100
4015.SOWST050.0350	350	350	420	50	-	150
4015.SOWST050.0400	400	400	440	50	-	200
4015.SOWST050.0450	450	450	460	50	-	250
4015.SOWST050.0500	500	500	480	50	-	300
4015.SOWST050.0550	550	550	470	50	150	-
4015.SOWST050.0600	600	600	460	50	175	-
4015.SOWST050.0650	650	650	450	50	200	-
4015.SOWST050.0700	700	700	440	50	225	-
4015.SOWST050.0750	750	750	420	50	250	-
4015.SOWST050.0800	800	800	400	50	275	-
4015.SOWST050.0850	850	850	380	50	300	-
4015.SOWST050.0900	900	900	360	50	325	-
4015.SOWST050.0950	950	950	340	50	350	-
4015.SOWST050.1000	1000	1000	320	50	375	-
4015.SOWST050.1050	1050	1050	310	50	400	-
4015.SOWST050.1100	1100	1100	300	50	425	-
4015.SOWST050.1150	1150	1150	290	50	450	-
4015.SOWST050.1200	1200	1200	280	50	475	-

4015.SOWST050.1250	1250	1250	270	50	500	-
4015.SOWST050.1300	1300	1300	260	50	525	-
4015.SOWST050.1350	1350	1350	250	50	550	-
4015.SOWST050.1400	1400	1400	240	50	575	-
4015.SOWST050.1450	1450	1450	230	50	600	-
4015.SOWST050.1500	1500	1500	220	50	625	-
4015.SOWST050.1550	1550	1550	210	50	650	-
4015.SOWST050.1600	1600	1600	200	50	675	-
4015.SOWST050.1650	1650	1650	190	50	500	-
4015.SOWST050.1700	1700	1700	180	100	650	-
4015.SOWST050.1750	1750	1750	170	100	675	-
4015.SOWST050.1800	1800	1800	160	100	700	-
4015.SOWST050.1850	1850	1850	150	100	725	-
4015.SOWST050.1900	1900	1900	140	100	750	-
4015.SOWST050.1950	1950	1950	130	100	775	-
4015.SOWST050.2000	2000	2000	120	100	800	-

Options:

- 'F' - One mounting beam countersunk
- 'FF' - Both beams countersunk
- 'V' - V shaped raceways (bi-directional slides)
- '70' - 70% over-extension of standard slide

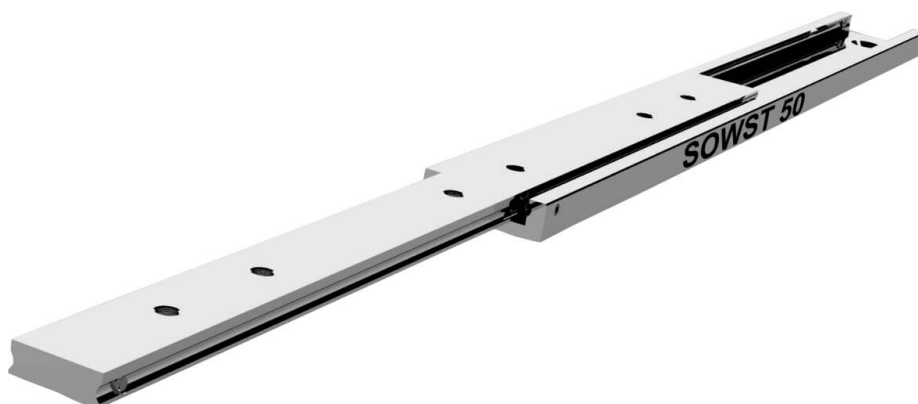
Bespoke length, drilling pattern & extension on request

Do not dismantle the slide!

The maximum safe working load is stated for a fully extended pair of slides, mounted upright. Use all fixing holes and spread the load evenly across the inner beam.

Flat mounting: Reduce the load by 60-80%. We recommend the use of strong L brackets for under or floor mount.

Deflection is calculated at approx 1% of the closed length, at or near full load capacity.



If mounting on the indirect axis, flat, as in the image above, reduce the load capacity by 60-80% and allow for increased deflection, or contact our engineers to request accurate FEA load analysis for OEM projects. We load rate per fully extended pair of slides on the direct axis, upright, with uniform loading across the beams. If load capacities need to be increased, please contact us for technical advice.

Material: All stainless steel parts

Beams: Stainless 316L (1.4404) cold drawn & precision milled

Ball bearings: Stainless 316L (1.4404)

Ball cages: Stainless 430 Ferritic (1.4016)

End bolts: Stainless A2 304 (1.4301)

Surface treatment: Polished

Temperature range: Cryogenic to $\approx 800^{\circ}$ C with suitable lubrication & material yield strength reduction

Lubrication: We apply and recommend lithium based EP3 grease for general applications. High & low temp grease upon request

Thread pitches: As per end profile image - coarse