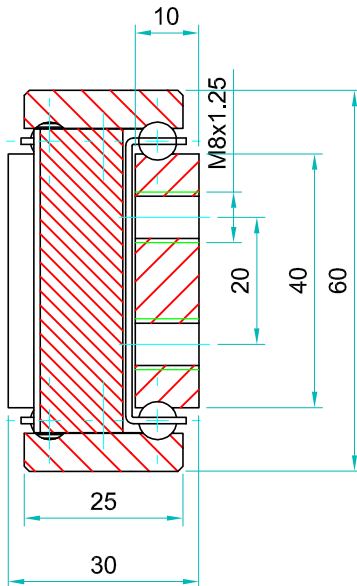


Full traversing is 2 x D when the slide is mounted in the open position



SDTSB-60 weighs 10.48 kg/m. Sold as singles				Drilling pattern		
Part number	Closed Length:L	Extension Length:D	Load per Pair: kg	"A"	"B"	"C"
4015.SDTSB060.0200	200	200	315	50	-	-
4015.SDTSB060.0250	250	250	329	50	-	50
4015.SDTSB060.0300	300	300	336	50	-	100
4015.SDTSB060.0350	350	350	343	50	-	150
4015.SDTSB060.0400	400	400	350	50	-	200
4015.SDTSB060.0450	450	450	364	50	-	250
4015.SDTSB060.0500	500	500	371	50	-	300
4015.SDTSB060.0550	550	550	385	50	-	350
4015.SDTSB060.0600	600	600	392	50	-	400
4015.SDTSB060.0650	650	650	399	50	200	-
4015.SDTSB060.0700	700	700	406	50	225	-
4015.SDTSB060.0750	750	750	413	50	250	-
4015.SDTSB060.0800	800	800	420	50	275	-
4015.SDTSB060.0850	850	850	413	50	300	-
4015.SDTSB060.0900	900	900	406	50	325	-
4015.SDTSB060.0950	950	950	399	50	350	-
4015.SDTSB060.1000	1000	1000	392	50	375	-
4015.SDTSB060.1050	1050	1050	378	50	400	-
4015.SDTSB060.1100	1100	1100	364	50	425	-
4015.SDTSB060.1150	1150	1150	357	50	450	-
4015.SDTSB060.1200	1200	1200	350	50	475	-
4015.SDTSB060.1250	1250	1250	336	50	500	-
4015.SDTSB060.1300	1300	1300	322	50	525	-
4015.SDTSB060.1350	1350	1350	308	50	550	-
4015.SDTSB060.1400	1400	1400	294	50	575	-
4015.SDTSB060.1450	1450	1450	280	50	600	-
4015.SDTSB060.1500	1500	1500	266	50	625	-
4015.SDTSB060.1550	1550	1550	245	50	650	-
4015.SDTSB060.1600	1600	1600	231	50	675	-
4015.SDTSB060.1650	1650	1650	217	50	700	-
4015.SDTSB060.1700	1700	1700	203	100	650	-
4015.SDTSB060.1750	1750	1750	196	100	675	-
4015.SDTSB060.1800	1800	1800	182	100	700	-
4015.SDTSB060.1850	1850	1850	168	100	725	-
4015.SDTSB060.1900	1900	1900	154	100	750	-
4015.SDTSB060.1950	1950	1950	140	100	775	-
4015.SDTSB060.2000	2000	2000	126	100	800	-

## Professional Range - **Stainless Steel**

### Bi-Directional Telescopic Slide

Type: SDTSB-60

Version: 2021/1

# SDTSB-60

**SLIDING**  
SYSTEMS

Options:

- 'F' - One mounting beam countersunk
- 'FF' - Both beams countersunk
- 'V' - V shaped raceways (bi-directional slides)

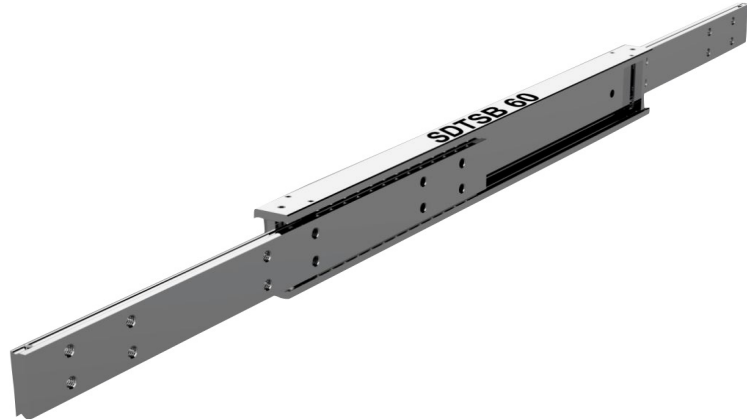
**Bespoke length, drilling pattern & extension on request**


#### **Do not dismantle the slide!**

The maximum safe working load is stated for a fully extended pair of slides, mounted upright. Use all fixing holes and spread the load evenly across the inner beam.

Flat mounting: Reduce the load by 60-80%. We recommend the use of strong L brackets for under or floor mount.

Deflection is calculated at approx 1% of the closed length, at or near full load capacity.



We do not recommend standard DTSB slides on automated/variable robotic pick & place or high speed shuttles. Factory adaptation and customer in situ testing is necessary. Operating speeds <0.3m/s. Consult our engineers 



If mounting on the indirect axis, flat, as in the image above, reduce the load capacity by 60-80% and allow for increased deflection, or contact our engineers to request accurate FEA load analysis for OEM projects. We load rate per fully extended pair of slides on the direct axis, upright, with uniform loading across the beams. If load capacities need to be increased, please contact us for technical advice.

**Material:** All stainless steel parts

**Beams:** Stainless 316L (1.4404) cold drawn & precision milled

**Ball bearings:** Stainless 316L (1.4404)

**Ball cages:** Stainless 430 Ferritic (1.4016)

**End bolts:** Stainless A2 304 (1.4301)

**Surface treatment:** Polished

**Temperature range:** Cryogenic to  $\approx 800^{\circ}$  C with suitable lubrication & material yield strength reduction

**Lubrication:** We apply and recommend lithium based EP3 grease for general applications. High & low temp grease upon request

**Thread pitches:** As per end profile image - coarse



**'Global Company, Global Reach'**