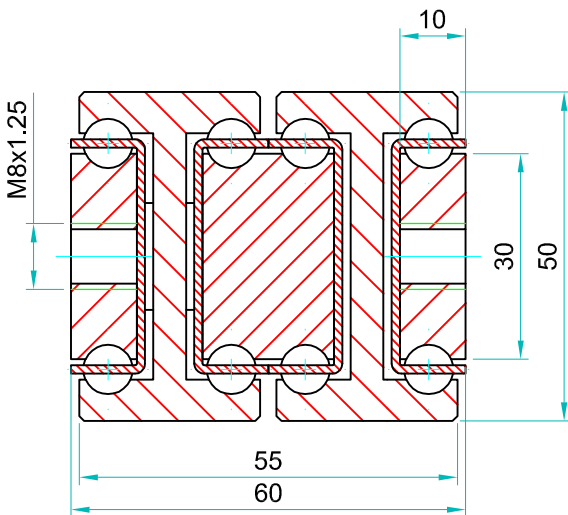
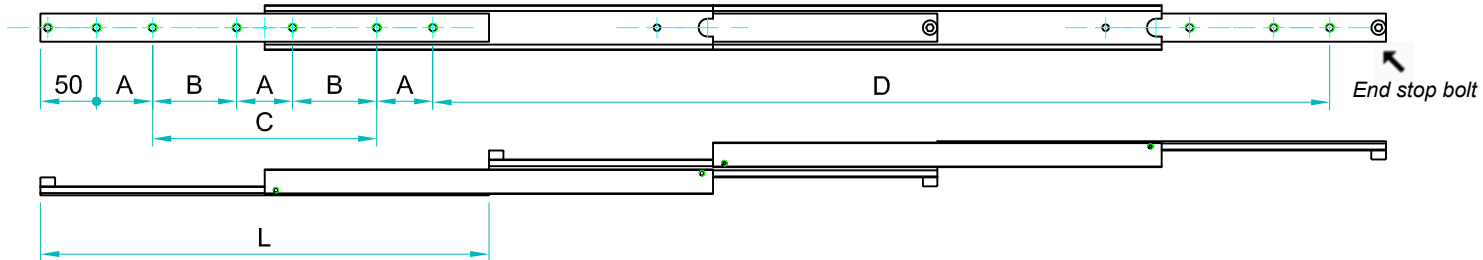




M8 threaded holes on both inner beams for bolting into



SDDTS-50 weighs 17.68kg/m. Sold as singles

Drilling pattern

Part Number	Closed Length: L	Extension Length: D	Load per Pair: kg	"A"	"B"	"C"
4015.SDDTS050.0200	200	400	114	50	-	-
4015.SDDTS050.0250	250	500	117	50	-	50
4015.SDDTS050.0300	300	600	120	50	-	100
4015.SDDTS050.0350	350	700	126	50	-	150
4015.SDDTS050.0400	400	800	132	50	-	200
4015.SDDTS050.0450	450	900	135	50	-	250
4015.SDDTS050.0500	500	1000	138	50	-	300
4015.SDDTS050.0550	550	1100	141	50	150	-
4015.SDDTS050.0600	600	1200	144	50	175	-
4015.SDDTS050.0650	650	1300	139	50	200	-
4015.SDDTS050.0700	700	1400	135	50	225	-
4015.SDDTS050.0750	750	1500	130	50	250	-
4015.SDDTS050.0800	800	1600	126	50	275	-
4015.SDDTS050.0850	850	1700	117	50	300	-
4015.SDDTS050.0900	900	1800	109	50	325	-
4015.SDDTS050.0950	950	1900	103	50	350	-
4015.SDDTS050.1000	1000	2000	96	50	375	-
4015.SDDTS050.1050	1050	2100	93	50	400	-
4015.SDDTS050.1100	1100	2200	90	50	425	-
4015.SDDTS050.1150	1150	2300	87	50	450	-
4015.SDDTS050.1200	1200	2400	84	50	475	-



If mounting on the indirect axis, flat, as in the image above, reduce the load capacity by 60-80% and allow for increased deflection, or contact our engineers to request accurate FEA load analysis for OEM projects. We load rate per fully extended pair of slides on the direct axis, upright, with uniform loading across the beams. If load capacities need to be increased, please contact us for technical advice.

**Material:** All stainless steel parts

**Beams:** Stainless 316L (1.4404) cold drawn & precision milled

**Ball bearings:** Stainless 316L (1.4404)

**Ball cages:** Stainless 430 Ferritic (1.4016)

**End bolts:** Stainless A2 304 (1.4301)

**Surface treatment:** Polished

**Temperature range:** Cryogenic to  $\approx 800^{\circ}$  C with suitable lubrication & material yield strength reduction

**Lubrication:** We apply and recommend lithium based EP3 grease for general applications. High & low temp grease upon request

**Thread pitches:** As per end profile image - coarse


**Options:**

'F' - One mounting beam countersunk

'FF' - Both beams countersunk

'V' - V shaped raceways (bi-directional slides)

**Bespoke length, drilling pattern & extension on request**

**Do not dismantle the slide!**   
The maximum safe working load is stated for a fully extended pair of slides, mounted upright. Use all fixing holes and spread the load evenly across the inner beam.  
Flat mounting: Reduce the load by 60-80%.  
We recommend the use of strong L brackets for under or floor mount.  
Deflection is calculated at approx 1% of the closed length, at or near full load capacity.