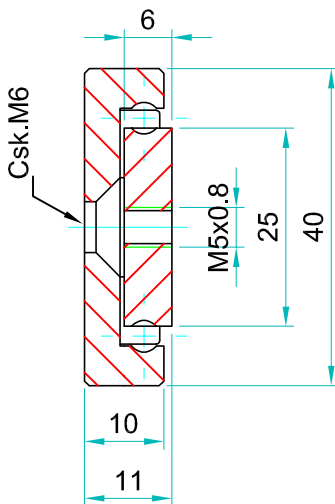


Full traversing is 2 x D when the slide is mounted in the open position

OWST-45 weighs 3.41kg/m. Sold as singles				Drilling Pattern		
Part Number	Closed Length: L	Extension Length: D	Load per pair: kg	"A"	"B"	"C"
4015.OWS045.0150	150	150	80	50	-	-
4015.OWS045.0200	200	200	90	50	-	-
4015.OWS045.0250	250	250	110	50	-	50
4015.OWS045.0300	300	300	130	50	-	100
4015.OWS045.0350	350	350	150	50	-	150
4015.OWS045.0400	400	400	180	50	-	200
4015.OWS045.0450	450	450	240	50	-	250
4015.OWS045.0500	500	500	260	50		300
4015.OWS045.0550	550	550	270	50	150	-
4015.OWS045.0600	600	600	260	50	175	-
4015.OWS045.0650	650	650	250	50	200	-
4015.OWS045.0700	700	700	240	50	225	-
4015.OWS045.0750	750	750	230	50	250	-
4015.OWS045.0800	800	800	220	50	275	-
4015.OWS045.0850	850	850	210	50	300	-
4015.OWS045.0900	900	900	200	50	325	-
4015.OWS045.0950	950	950	190	50	350	-
4015.OWS045.1000	1000	1000	180	50	375	-
4015.OWS045.1050	1050	1050	160	50	400	-
4015.OWS045.1100	1100	1100	140	50	425	-
4015.OWS045.1150	1150	1150	120	50	450	-
4015.OWS045.1200	1200	1200	100	50	575	-



Professional Range - **Steel**
Bi-Directional Telescopic Slide

Type: **OWST-45**

Version: 2021/1

OWST-45

SLIDING
SYSTEMS



If mounting on the indirect axis, flat, as in the image above, reduce the load capacity by 60-80% and allow for increased deflection, or contact our engineers to request accurate FEA load analysis for OEM projects. We load rate per fully extended pair of slides on the direct axis, upright, with uniform loading across the beams. If load capacities need to be increased, please contact us for technical advice.

Material: All steel parts/no plastics

Beams: Cold drawn carbon steel C45E+C. EN 10277 milled raceways

Ball bearings: Chromed steel C85, G100. Din 5401

Ball cages: Zinc plated sheet steel. Laser cut profiles

End bolts: Steel ASTM A307

Surface Protection: Electrolytic alkaline zinc coating (10-12 microns). conforming to DIN EN ISO 9227 neutral salt spray testing. No white rust appearance within 120 hours. No red rust within 1,032 hours

Temperature range: Steel slides -20°C to +250°C provided the necessary lubricants are applied and the beams are mounted freely to allow expansion

Lubrication: We apply and recommend lithium based EP3 grease for general applications. High & low temp grease upon request

Thread pitches: As per end profile image - coarse

Options:

'F' - One mounting beam countersunk

'FF' - Both beams countersunk

'SB' - Stainless steel 316L ball bearings

'SC' - Stainless steel ball cages

'SA' - Stainless end bolts & retaining pins

'V' - V shaped raceways (bi-directional slides)

'70' - 70% over-extension of standard slide

Bespoke length, drilling pattern & extension on request

Do not dismantle the slide!



The maximum safe working load is stated for a fully extended pair of slides, mounted upright. Use all fixing holes and spread the load evenly across the inner beam.

Flat mounting: Reduce the load by 60-80%.

We recommend the use of strong L brackets for under or floor mount.

Deflection is calculated at approx 1% of the closed length, at or near full load capacity.



'Global Company, Global Reach'