
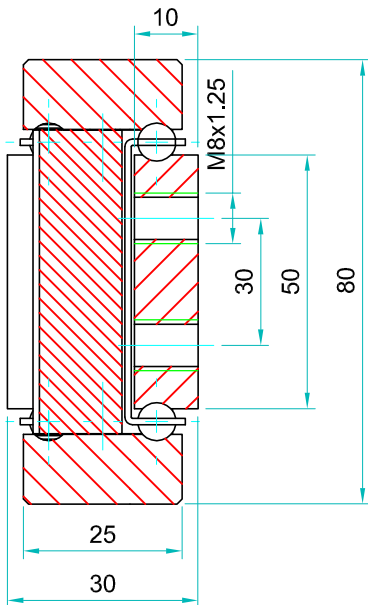
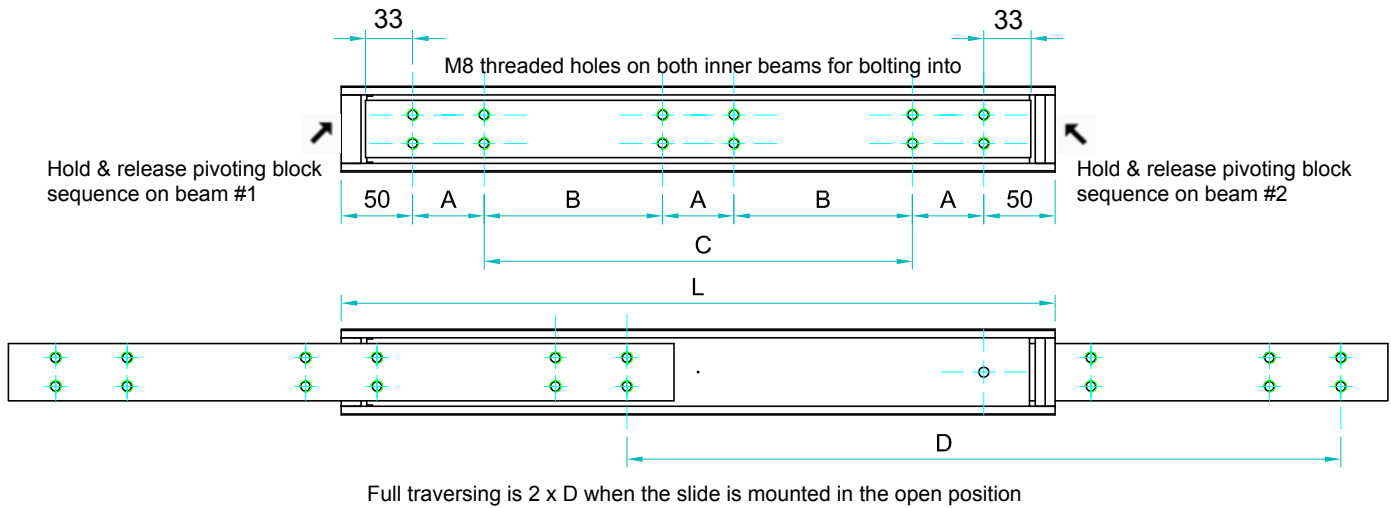




We do not recommend standard DTSB slides on automated/variable robotic pick & place or high speed shuttles. Factory adaptation and customer in situ testing is necessary. Operating speeds <math>< 0.3\text{m/s}</math>. Consult our engineers 



DTSB-80 weighs 14.28kg/m. Sold as singles				Drilling Pattern		
Part Number	Closed Length: L	Extension Length: D	Load per Pair: kg	"A"	"B"	"C"
4015.DTSB080.0200	200	200	600	50	-	-
4015.DTSB080.0250	250	250	620	50	-	50
4015.DTSB080.0300	300	300	640	50	-	100
4015.DTSB080.0350	350	350	680	50	-	150
4015.DTSB080.0400	400	400	720	50	-	200
4015.DTSB080.0450	450	450	760	50	-	250
4015.DTSB080.0500	500	500	790	50	-	300
4015.DTSB080.0550	550	550	830	50	-	350
4015.DTSB080.0600	600	600	850	50	-	400
4015.DTSB080.0650	650	650	860	50	200	-
4015.DTSB080.0700	700	700	865	50	225	-
4015.DTSB080.0750	750	750	875	50	250	-
4015.DTSB080.0800	800	800	880	50	275	-
4015.DTSB080.0850	850	850	870	50	300	-
4015.DTSB080.0900	900	900	860	50	325	-
4015.DTSB080.0950	950	950	850	50	350	-
4015.DTSB080.1000	1000	1000	840	50	375	-
4015.DTSB080.1050	1050	1050	820	50	400	-
4015.DTSB080.1100	1100	1100	800	50	425	-
4015.DTSB080.1150	1150	1150	780	50	450	-
4015.DTSB080.1200	1200	1200	760	50	475	-

Professional Range - Steel
Bi-Directional Telescopic Slide

DTSB-80



Type: DTSB-80

Version: 2021/1

Options:

- 'F' - One mounting beam countersunk
- 'FF' - Both beams countersunk
- 'SB' - Stainless steel 316L ball bearings
- 'SC' - Stainless steel ball cages
- 'SA' - Stainless end bolts & retaining pins
- 'V' - V shaped raceways (bi-directional slides)

Bespoke length, drilling pattern & extension on request

Do not dismantle the slide

The maximum safe working load is stated for a fully extended pair of slides, mounted upright.

Use all fixing holes and spread the load evenly across the inner beam.

Flat mounting: Reduce the load by 60-80%.

We recommend the use of strong L brackets for under or floor mount.

Deflection is calculated at approx 1% of the closed length, at or near full load capacity.

DTSB-80 weighs 14.28kg/m. Sold as singles				Drilling Pattern		
Part Number	Closed Length: L	Extension Length: D	Load per Pair: kg	"A"	"B"	"C"
4015.DTSB080.1250	1250	1250	740	50	500	-
4015.DTSB080.1300	1300	1300	720	50	525	-
4015.DTSB080.1350	1350	1350	690	50	550	-
4015.DTSB080.1400	1400	1400	660	50	575	-
4015.DTSB080.1450	1450	1450	630	50	600	-
4015.DTSB080.1500	1500	1500	600	50	625	-
4015.DTSB080.1550	1550	1550	580	50	650	-
4015.DTSB080.1600	1600	1600	540	50	675	-
4015.DTSB080.1650	1650	1650	520	50	700	
4015.DTSB080.1700	1700	1700	490	100	650	
4015.DTSB080.1750	1750	1750	450	100	675	
4015.DTSB080.1800	1800	1800	400	100	700	
4015.DTSB080.1850	1850	1850	360	100	725	
4015.DTSB080.1900	1900	1900	320	100	750	
4015.DTSB080.1950	1950	1950	280	100	775	
4015.DTSB080.2000	2000	2000	250	100	800	



If mounting on the indirect axis, flat, as in the image above, reduce the load capacity by 60-80% and allow for increased deflection, or contact our engineers to request accurate FEA load analysis for OEM projects. We load rate per fully extended pair of slides on the direct axis, upright, with uniform loading across the beams. If load capacities need to be increased, please contact us for technical advice.

Material: All steel parts/no plastics

Beams: Cold drawn carbon steel C45E+C. EN 10277 milled raceways

Ball bearings: Chromed steel C85, G100. Din 5401

Ball cages: Zinc plated sheet steel. Laser cut profiles

End bolts: Steel ASTM A307

Surface Protection: Electrolytic alkaline zinc coating (10-12 microns). conforming to DIN EN ISO 9227 neutral salt spray testing.

No white rust appearance within 120 hours. No red rust within 1,032 hours

Temperature range: Steel slides -20°C to +250°C provided the necessary lubricants are applied and the beams are mounted freely to allow expansion

Lubrication: We apply and recommend lithium based EP3 grease for general applications. High & low temp grease upon request

Thread pitches: As per end profile image - coarse



'Global Company, Global Reach'