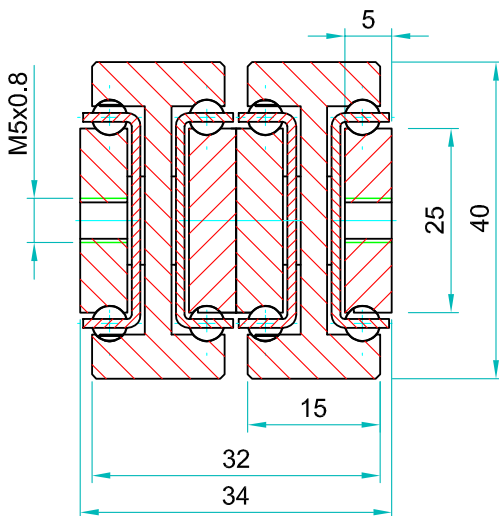
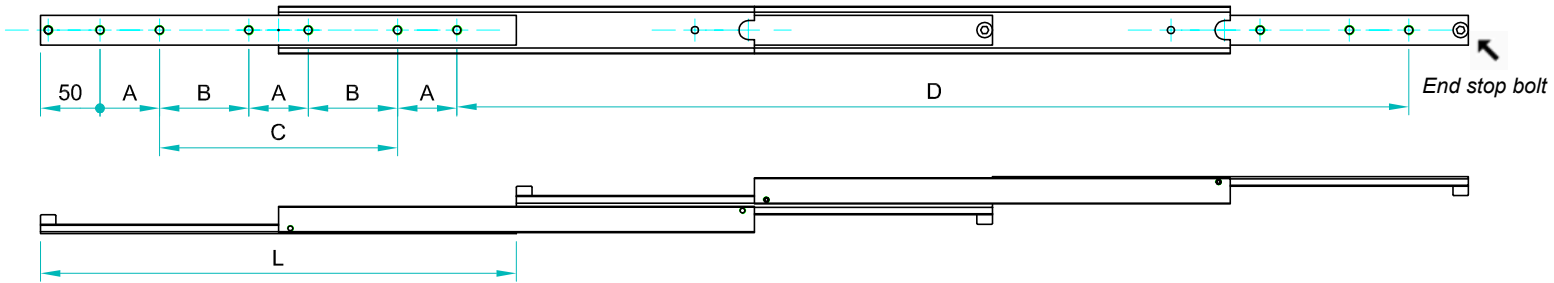




M5 threaded holes on both inner beams for bolting into



DDTS-48 weighs 7.93 kg/m. Sold as singles				Drilling pattern		
Part Number	Closed Length: L	Extension Length: D	Load per Pair: kg	"A"	"B"	"C"
4015.DDTS048.0150	150	300	70	50	-	-
4015.DDTS048.0200	200	400	75	50	-	-
4015.DDTS048.0250	250	500	80	50	-	50
4015.DDTS048.0300	300	600	85	50	-	100
4015.DDTS048.0350	350	700	90	50	-	150
4015.DDTS048.0400	400	800	85	50	-	200
4015.DDTS048.0450	450	900	80	50	-	250
4015.DDTS048.0500	500	1000	75	50	-	300
4015.DDTS048.0550	550	1100	70	50	150	-
4015.DDTS048.0600	600	1200	65	50	175	-
4015.DDTS048.0650	650	1300	60	50	200	-
4015.DDTS048.0700	700	1400	55	50	225	-
4015.DDTS048.0750	750	1500	50	50	250	-
4015.DDTS048.0800	800	1600	45	50	275	-
4015.DDTS048.0850	850	1700	40	50	300	-
4015.DDTS048.0900	900	1800	35	50	325	-
4015.DDTS048.0950	950	1900	30	50	350	-
4015.DDTS048.1000	1000	2000	20	50	375	-



If mounting on the indirect axis, flat, as in the image above, reduce the load capacity by 60-80% and allow for increased deflection, or contact our engineers to request accurate FEA load analysis for OEM projects. We load rate per fully extended pair of slides on the direct axis, upright, with uniform loading across the beams. If load capacities need to be increased, please contact us for technical advice.

**Material:** All steel parts/no plastics

**Beams:** Cold drawn carbon steel C45E+C. EN 10277 milled raceways

**Ball bearings:** Chromed steel C85, G100. Din 5401

**Ball cages:** Zinc plated sheet steel. Laser cut profiles

**End bolts:** Steel ASTM A307

**Surface Protection:** Electrolytic alkaline zinc coating (10-12 microns). conforming to DIN EN ISO 9227 neutral salt spray testing. No white rust appearance within 120 hours. No red rust within 1,032 hours

**Temperature range:** Steel slides  $-20^{\circ}\text{C}$  to  $+250^{\circ}\text{C}$  provided the necessary lubricants are applied and the beams are mounted freely to allow expansion

**Lubrication:** We apply and recommend lithium based EP3 grease for general applications. High & low temp grease upon request

**Thread pitches:** As per end profile image - coarse

**Options:**

'F' - One mounting beam countersunk

'FF' - Both beams countersunk

'SB' - Stainless steel 316L ball bearings

'SC' - Stainless steel ball cages

'SA' - Stainless end bolts & retaining pins

'V' - V shaped raceways (bi-directional slides)

**Bespoke length, drilling pattern & extension on request**

**Do not dismantle the slide!**



The maximum safe working load is stated for a fully extended pair of slides, mounted upright. Use all fixing holes and spread the load evenly across the inner beam.

Flat mounting: Reduce the load by 60-80%.

We recommend the use of strong L brackets for under or floor mount.

Deflection is calculated at approx 1% of the closed length, at or near full load capacity.