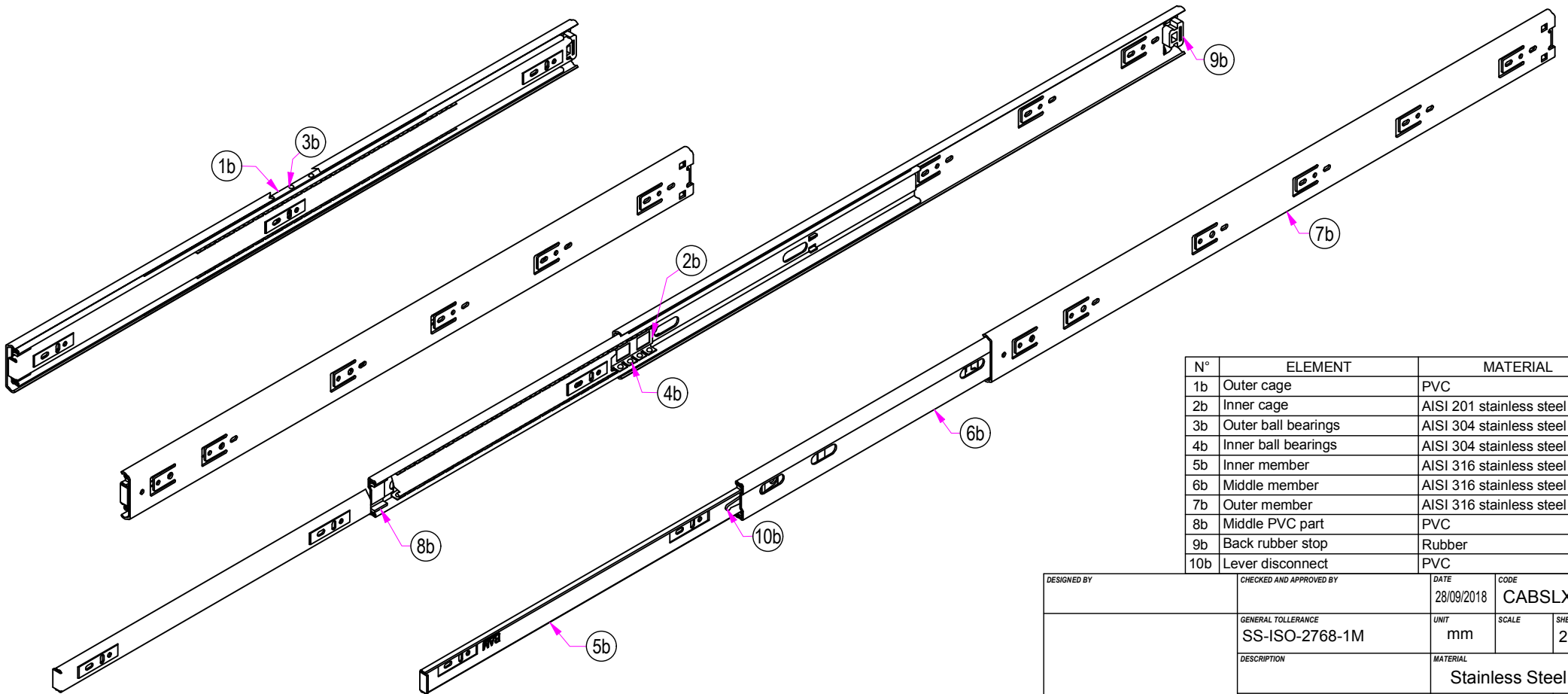
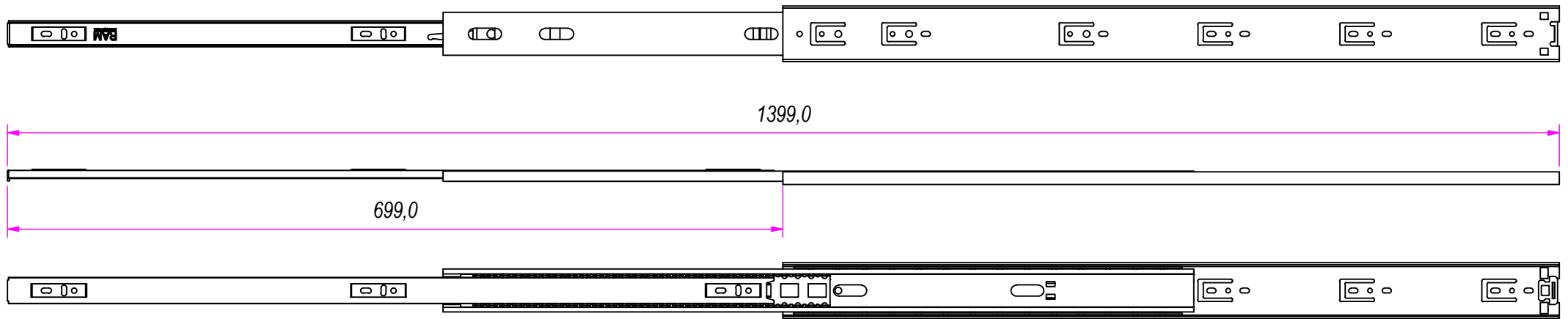


DESIGNED BY	CHECKED AND APPROVED BY	DATE	CODE	
		28/09/2018	CABSLX 700	
GENERAL TOLERANCE		UNIT	SCALE	SHEET
SS-ISO-2768-1M		mm		1 of 2
DESCRIPTION		MATERIAL		
		Stainless Steel		
DEVICE		PAIR WEIGHT		
		2,902 Kg	02C	

		REVISION HISTORY		
		REV	DESCRIPTION	DATE
Guide per cassetti; guide telescopiche	Coulisses à billes; coulisse télescopique			
Drawer slide; telescopic ball bearing slide	Guías para cajones; guía telescópica	1a		30/08/2017
Kugelführung; Teleskopschienen				



N°	ELEMENT	MATERIAL
1b	Outer cage	PVC
2b	Inner cage	AISI 201 stainless steel
3b	Outer ball bearings	AISI 304 stainless steel
4b	Inner ball bearings	AISI 304 stainless steel
5b	Inner member	AISI 316 stainless steel
6b	Middle member	AISI 316 stainless steel
7b	Outer member	AISI 316 stainless steel
8b	Middle PVC part	PVC
9b	Back rubber stop	Rubber
10b	Lever disconnect	PVC

DESIGNED BY	CHECKED AND APPROVED BY	DATE	CODE	
		28/09/2018	CABLX 700	
GENERAL TOLLERANCE		UNIT	SCALE	SHEET
SS-ISO-2768-1M		mm		2 of 2
DESCRIPTION		MATERIAL		
		Stainless Steel		
DEVICE		PAIR WEIGHT		
		2,902 Kg	02C	

		REVISION HISTORY		
		REV	DESCRIPTION	DATE
Guide per cassetti; guide telescopiche	Coulisses à billes; coulisse télescopique			
Drawer slide; telescopic ball bearing slide	Guías para cajones; guía teleópica	1a		30/08/2017
Kugelführung; Teleskopschienen				