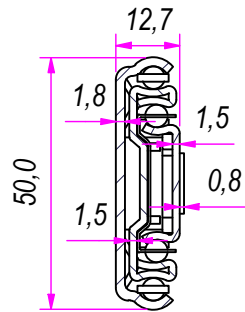
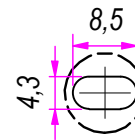


SEZ. A-A

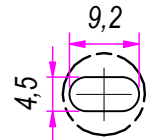


1a

B (1:1)

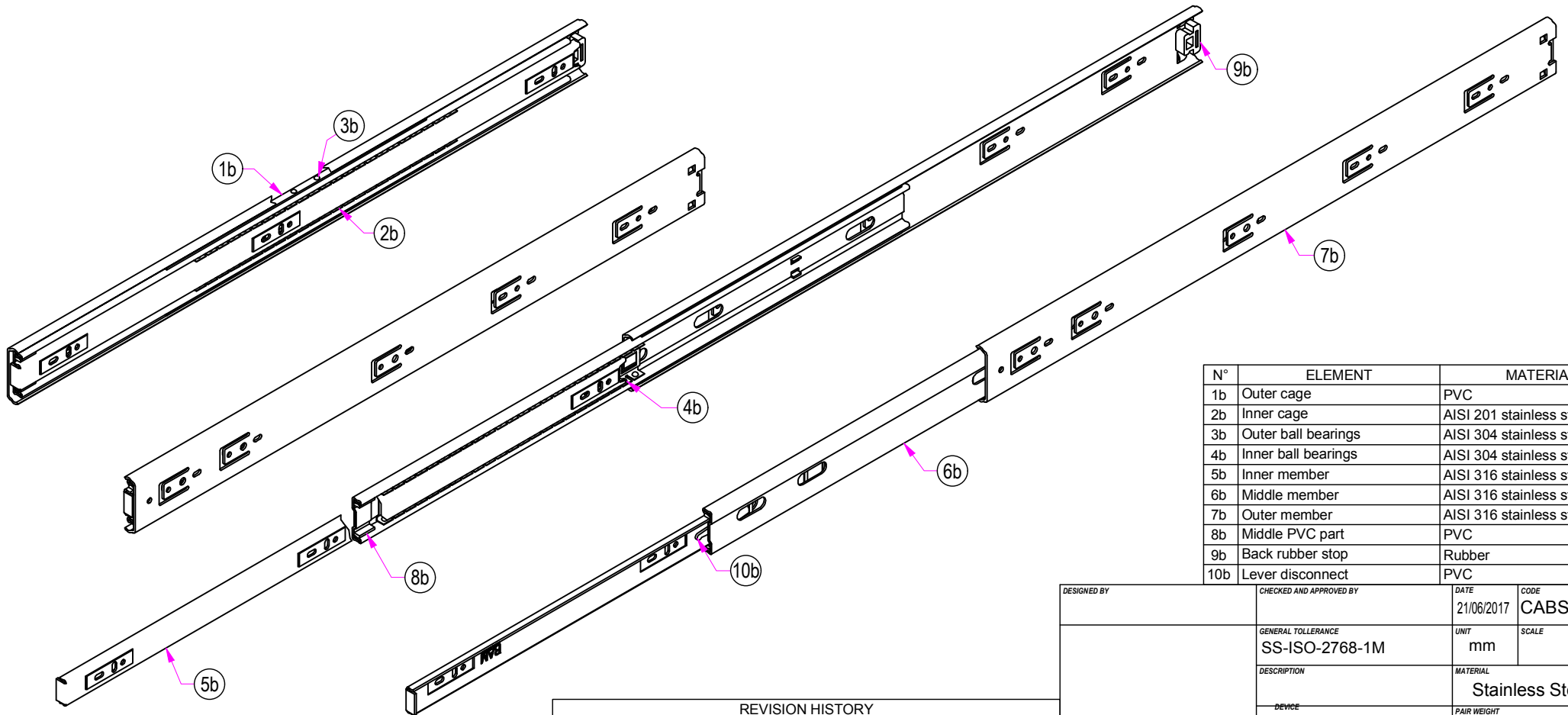
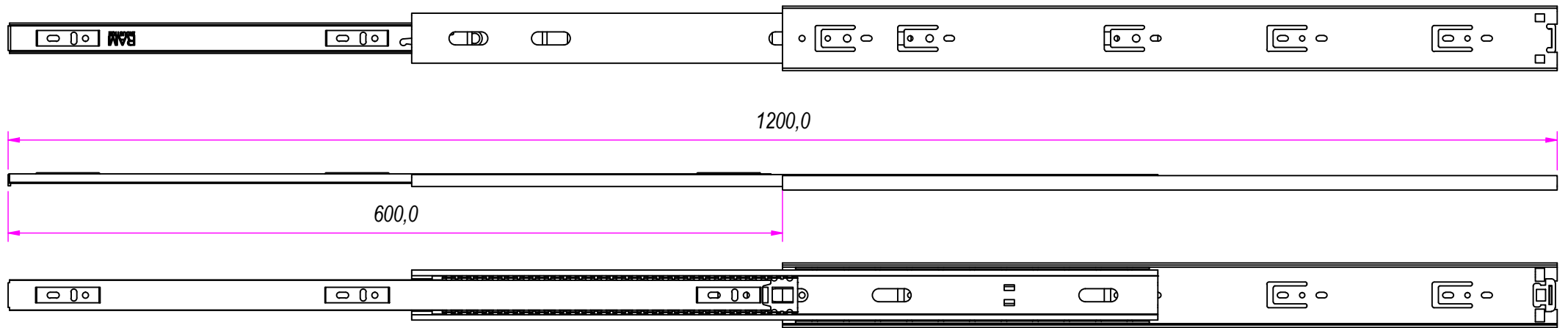


C (1:1)



		REVISION HISTORY		
		REV	DESCRIPTION	DATE
Guide per cassetti; guide telescopiche	Coulisses à billes; coulisse télescopique	1a	Raising the holes	30/08/2017
Drawer slide; telescopic ball bearing slide	Guías para cajones; guía teleópica	2a	Added slotted hole (18-12)	21/06/2017
Kugelführung; Teleskopschienen				

DESIGNED BY	CHECKED AND APPROVED BY	DATE	CODE	
		21/06/2017	CABSLX 600	
GENERAL TOLLERANCE		UNIT	SCALE	SHEET
SS-ISO-2768-1M		mm		1 of 2
DESCRIPTION		MATERIAL		
		Stainless Steel		
		PAIR WEIGHT		
		2,46 Kg	02C	



N°	ELEMENT	MATERIAL
1b	Outer cage	PVC
2b	Inner cage	AISI 201 stainless steel
3b	Outer ball bearings	AISI 304 stainless steel
4b	Inner ball bearings	AISI 304 stainless steel
5b	Inner member	AISI 316 stainless steel
6b	Middle member	AISI 316 stainless steel
7b	Outer member	AISI 316 stainless steel
8b	Middle PVC part	PVC
9b	Back rubber stop	Rubber
10b	Lever disconnect	PVC

DESIGNED BY	CHECKED AND APPROVED BY	DATE	CODE
		21/06/2017	CABSLX 600
GENERAL TOLLERANCE		UNIT	SCALE
SS-ISO-2768-1M		mm	
DESCRIPTION		MATERIAL	
		Stainless Steel	
DEVICE		PAIR WEIGHT	SHEET
		2,46 Kg	2 of 2

REVISION HISTORY			
REV	DESCRIPTION	DATE	
1a	Raising the holes	30/08/2017	
2a	Added slotted hole (18-12)	21/06/2017	

Guide per cassetti; guide telescopiche	Coulisses à billes; coulisse télescopique
Drawer slide; telescopic ball bearing slide	Guías para cajones; guía teleópica
Kugelführung; Teleskopschienen	