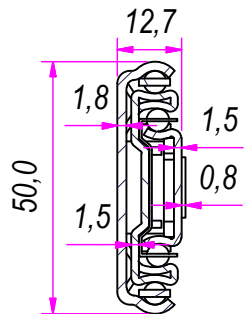
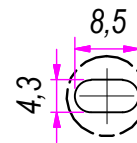


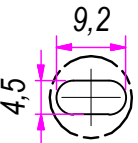
SEZ. A-A



B (1:1)



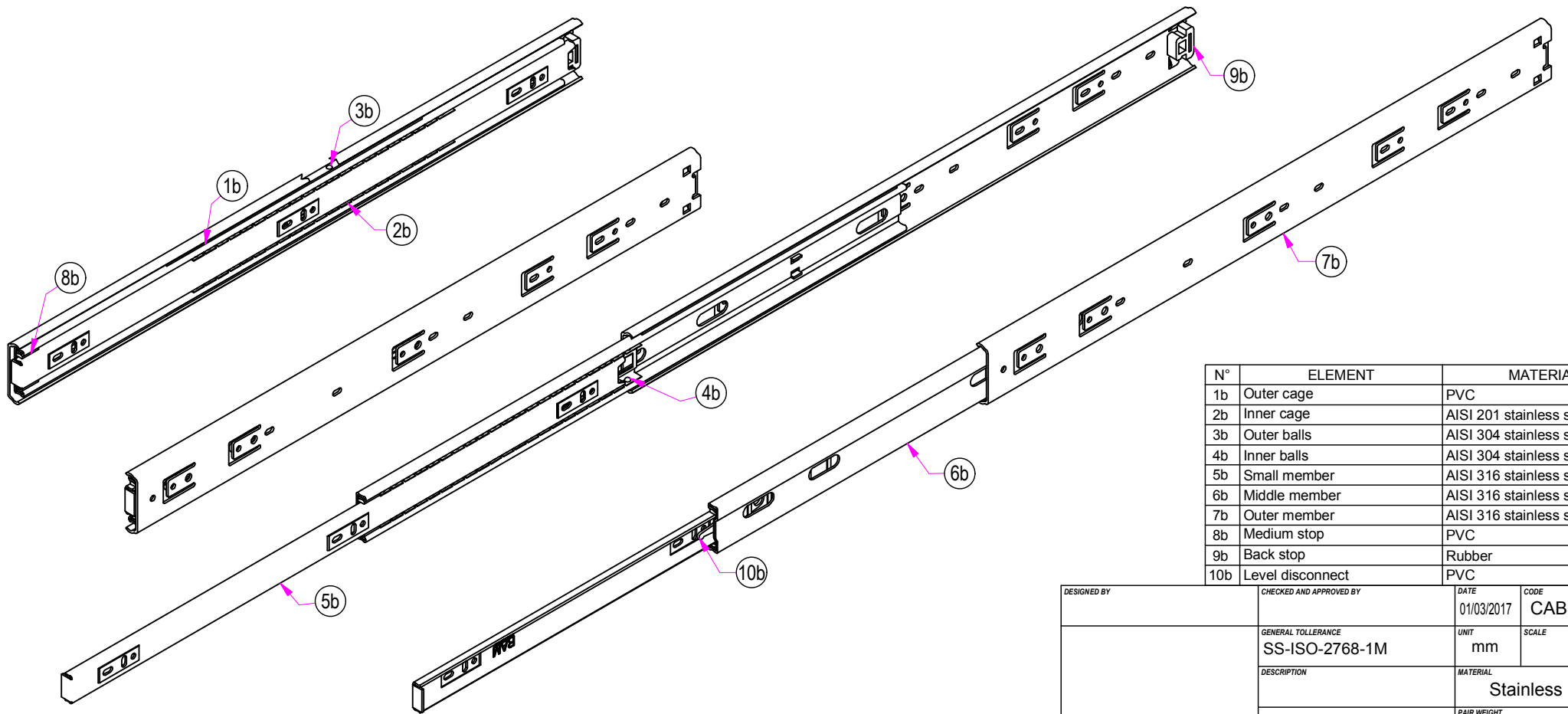
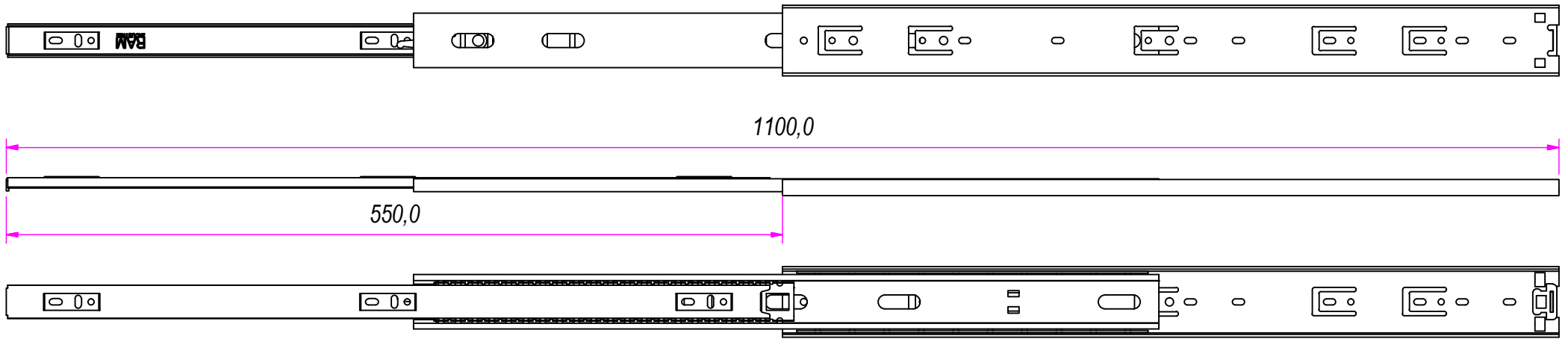
C (1:1)



DESIGNED BY	CHECKED AND APPROVED BY	DATE	CODE	
		01/03/2017	CABSLX 550	
GENERAL TOLLERANCE		UNIT	SCALE	SHEET
DEV: SS-ISO-2768-1M		mm		1 of 2
DESCRIPTION			MATERIAL	
			Stainless Steel	
			PAIR WEIGHT	02C
			2,244 Kg	

		REVISION HISTORY		
REV	DESCRIPTION	DATE		
1a	Raising the holes	30/08/2017		

Guide per cassetti; guide telescopiche	Coulisses à billes; coulisse télescopique
Drawer slide; telescopic ball bearing slide	Guías para cajones; guía teleópica
Kugelführung; Teleskopschienen	



N°	ELEMENT	MATERIAL
1b	Outer cage	PVC
2b	Inner cage	AISI 201 stainless steel
3b	Outer balls	AISI 304 stainless steel
4b	Inner balls	AISI 304 stainless steel
5b	Small member	AISI 316 stainless steel
6b	Middle member	AISI 316 stainless steel
7b	Outer member	AISI 316 stainless steel
8b	Medium stop	PVC
9b	Back stop	Rubber
10b	Level disconnect	PVC

DESIGNED BY	CHECKED AND APPROVED BY	DATE	CODE
		01/03/2017	CABSLX 550
GENERAL TOLLERANCE		UNIT	SCALE
SS-ISO-2768-1M		mm	
DESCRIPTION		MATERIAL	
		Stainless Steel	
		PAIR WEIGHT	SHEET
		2,244 Kg	2 of 2

		REVISION HISTORY		
		REV	DESCRIPTION	DATE
Guide per cassetti; guide telescopiche	Coulisses à billes; coulisse télescopique			
Drawer slide; telescopic ball bearing slide	Guías para cajones; guía teleópica	1a	Raising the holes	30/08/2017
Kugelführung; Teleskopschienen				