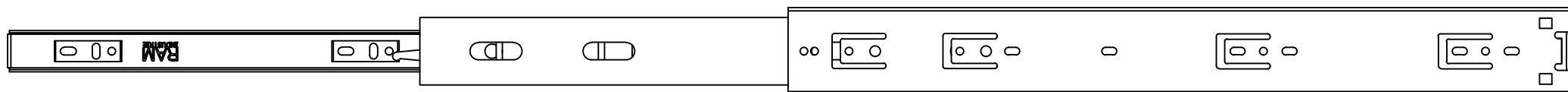


**SLIDING**  
SYSTEMS

DESIGNED BY	CHECKED AND APPROVED BY	DATE	CODE	
		01/03/2017	CABSLX 450	
GENERAL TOLLERANCE		UNIT	SCALE	SHEET
SS-ISO-2768-1M		mm		1 of 2
DESCRIPTION		MATERIAL		
		Stainless Steel		
DEVICE		PAIR WEIGHT		
		1,824 Kg	02C	

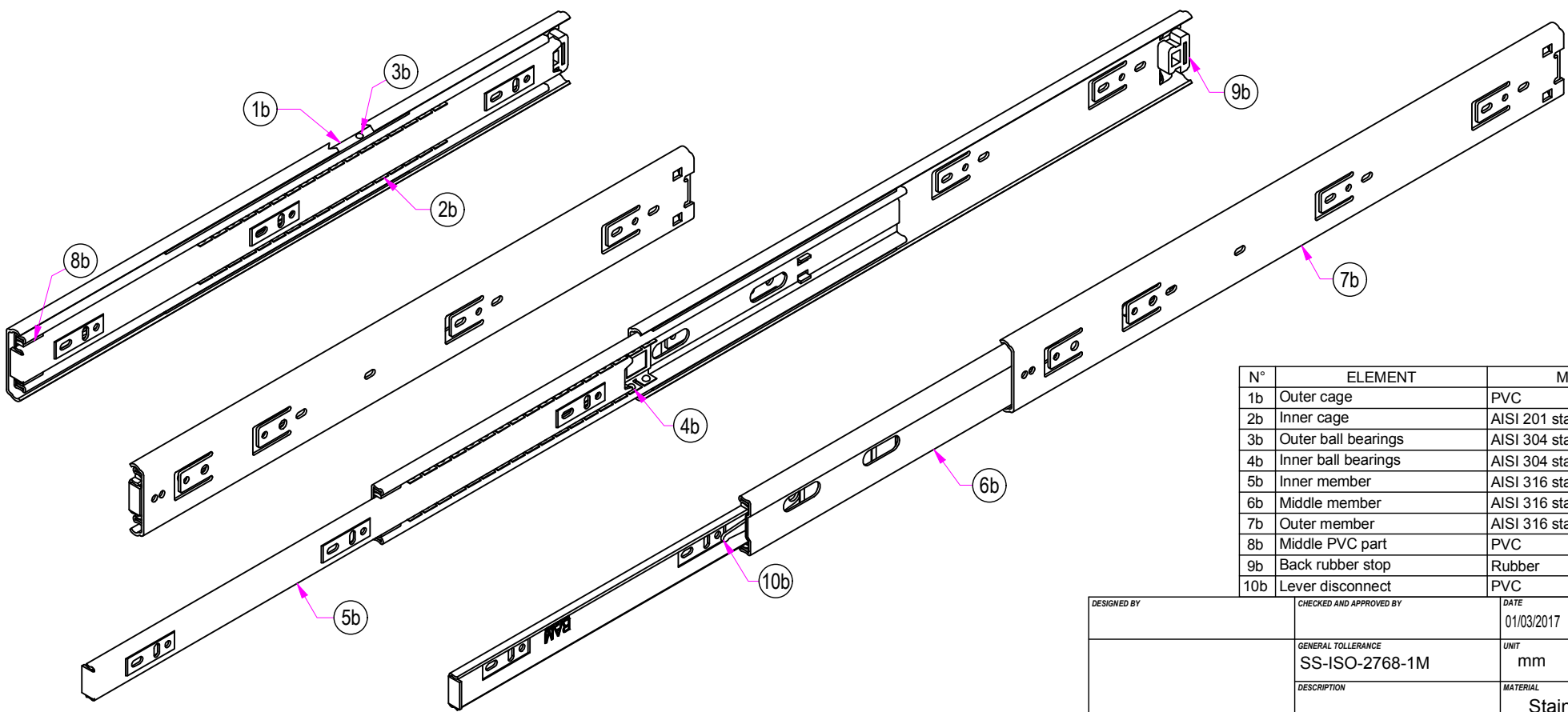
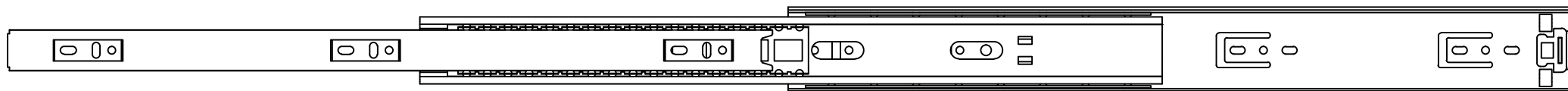
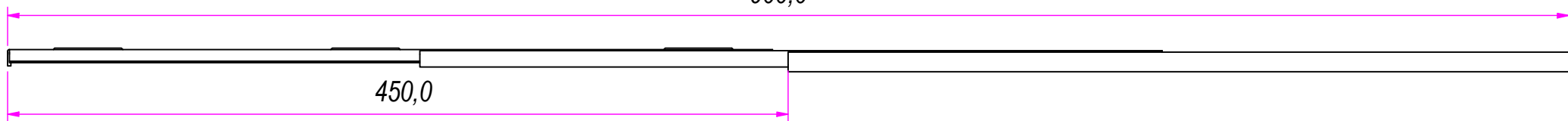
REVISION HISTORY				
REV	DESCRIPTION	DATE		
1a	Raising the holes	30/08/2017		
2a	Added hole (19-09)	25/11/2019		

Guide per cassetti; guide telescopiche	Coulisses à billes; coulisse télescopique
Drawer slide; telescopic ball bearing slide	Guías para cajones; guía teleópica
Kugelführung; Teleskopschienen	



900,0

450,0



N°	ELEMENT	MATERIAL
1b	Outer cage	PVC
2b	Inner cage	AISI 201 stainless steel
3b	Outer ball bearings	AISI 304 stainless steel
4b	Inner ball bearings	AISI 304 stainless steel
5b	Inner member	AISI 316 stainless steel
6b	Middle member	AISI 316 stainless steel
7b	Outer member	AISI 316 stainless steel
8b	Middle PVC part	PVC
9b	Back rubber stop	Rubber
10b	Lever disconnect	PVC

DESIGNED BY	CHECKED AND APPROVED BY	DATE	CODE
		01/03/2017	CABSLX 450
GENERAL TOLERANCE		UNIT	SCALE
SS-ISO-2768-1M		mm	
DESCRIPTION		MATERIAL	
		Stainless Steel	
DEVICE	PAIR WEIGHT	SHEET	
	1,824 Kg	2 of 2	

REVISION HISTORY			
REV	DESCRIPTION	DATE	
1a	Raising the holes	30/08/2017	
2a	Added hole (19-09)	25/11/2019	

Guide per cassetti; guide telescopica	Coulisses à billes; coulisse télescopique
Drawer slide; telescopic ball bearing slide	Guías para cajones; guía teleópica
Kugelführung; Teleskopschienen	

Property of RAM Industrie.  
Without its written authorization the present drawing shall neither be used for construction anyway, communicated to third parties, nor reproduced.