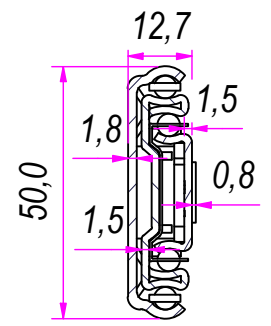
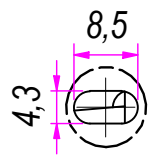


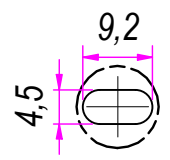
SEZ. A-A



B (1:1)

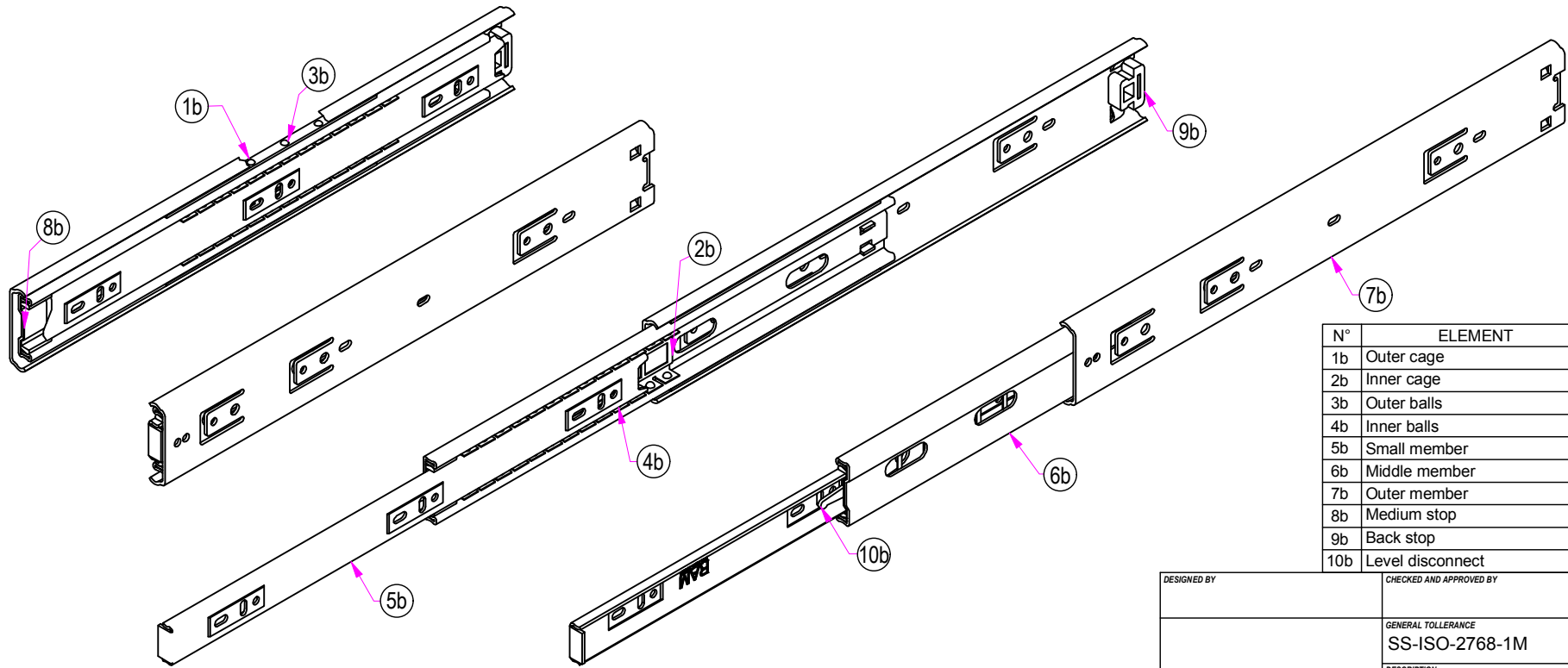
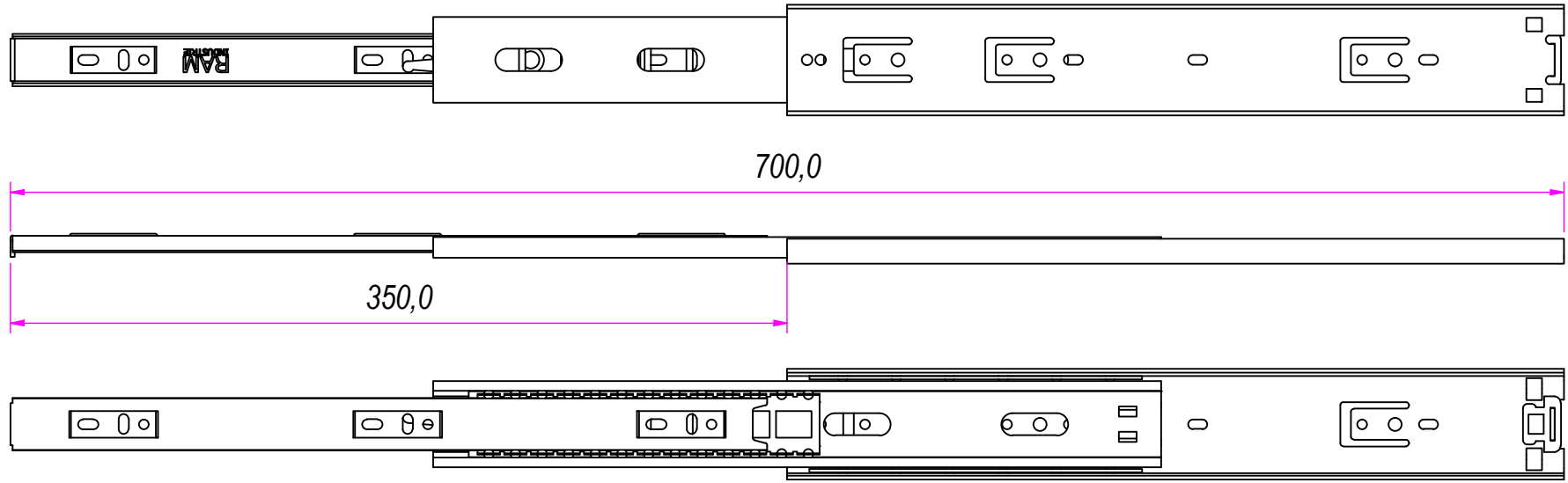


C (1:1)



Guide per cassetti; guide telescopiche	Coulisses à billes; coulisse télescopique	REVISION HISTORY	
Drawer slide; telescopic ball bearing slide	Guías para cajones; guía teleópica	REV	DESCRIPTION
Kugelführung; Teleskopschienen		1a	DATE
			22/11/2019

DESIGNED BY	CHECKED AND APPROVED BY	DATE	CODE
		19/11/2019	CABSLX 350
GENERAL TOLLERANCE		UNIT	SCALE
SS-ISO-2768-1M		mm	1 of 2
DESCRIPTION		MATERIAL	
		Stainless Steel	
DEVICE		PAIR WEIGHT	
		02C	



N°	ELEMENT	MATERIAL
1b	Outer cage	PVC
2b	Inner cage	AISI 201 stainless steel
3b	Outer balls	AISI 304 stainless steel
4b	Inner balls	AISI 304 stainless steel
5b	Small member	AISI 316 stainless steel
6b	Middle member	AISI 316 stainless steel
7b	Outer member	AISI 316 stainless steel
8b	Medium stop	PVC
9b	Back stop	Rubber
10b	Level disconnect	PVC

DESIGNED BY	CHECKED AND APPROVED BY	DATE	CODE	
		19/11/2019	CABSLX 350	
GENERAL TOLERANCE		UNIT	SCALE	SHEET
SS-ISO-2768-1M		mm		2 of 2
DESCRIPTION		MATERIAL		
		Stainless Steel		
DEVICE		PAIR WEIGHT		
				02C

		REVISION HISTORY		
REV	DESCRIPTION	DATE		
1a		22/11/2019		

Guide per cassetti; guide telescopica	Coulisses à billes; coulisse télescopique
Drawer slide; telescopic ball bearing slide	Guías para cajones; guía teleópica
Kugelführung; Teleskopschienen	