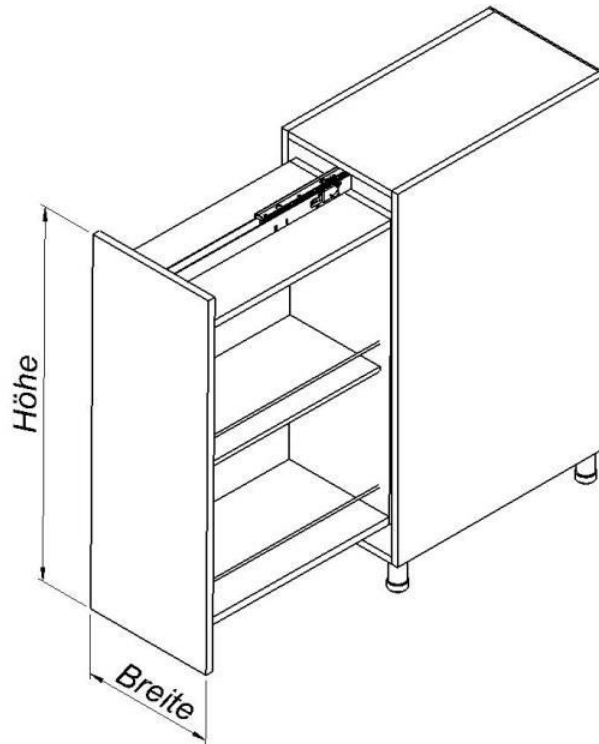


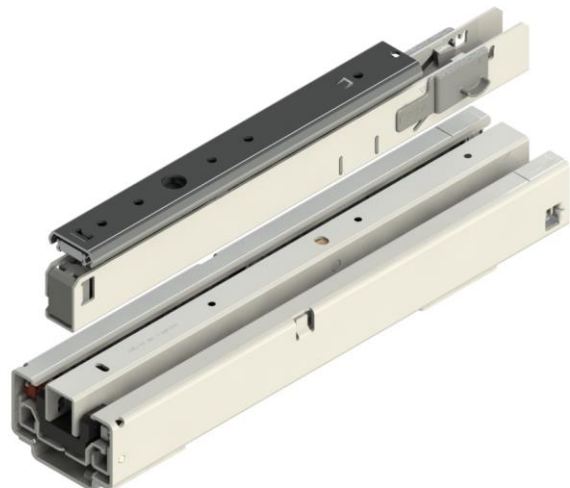
RECOMMENDED CABINET DIMENSIONS FOR PANTRY PULL OUT SLIDES FR 775A / FR 771A / FR 777A

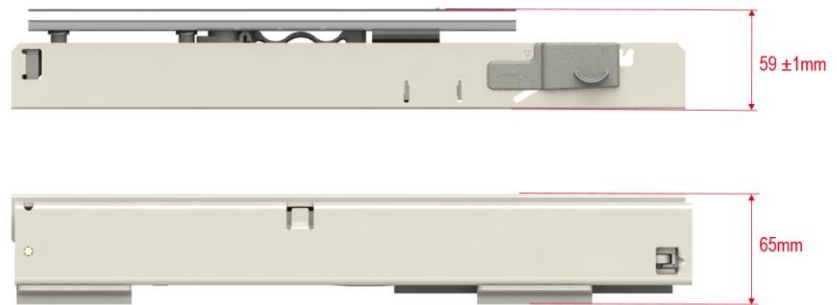


***Load capacity = weight of the pull-out component + load**

FR 775A

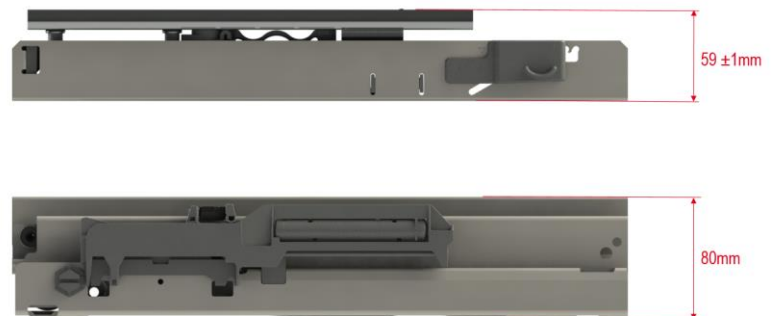
Load capacity *	75kg
Nominal length	400-750mm
Maximum height	1500mm
Maximum width	400mm





FR 771A

Load capacity *	120kg
Nominal length	400-750mm
Maximum height	2000mm
Maximum width	500mm



FR 777A

Load capacity * 200kg
Nominal length 400-1100mm
Maximum height 2500mm
Maximum width 600mm

