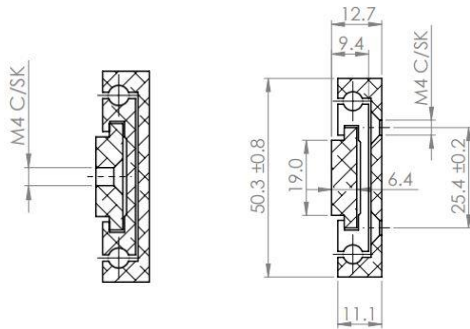
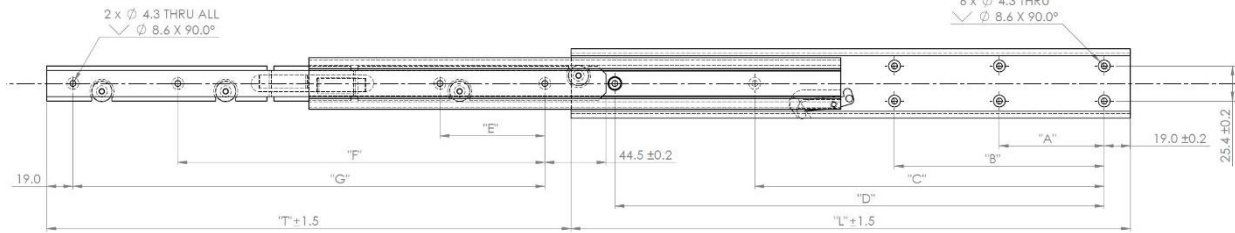


4014.130 QD



Mounting details
Refer to drill table hole pitches

Features:
QD - Lock Out & Detachable Inner Beam
LH & RH Pair

Configuration Table												
Part Number	Installation Length "L"	Extension Length "T"	Drill Table							Weight (KG/Each)	QTY/ BOX	Load (KG/Pair)
			"A"	"B"	"C"	"D"	"E"	"F"	"G"			
4014.130QD.010	254	228.6	76.2	-	-	203.2	-	146.1	190.5	0.37	10	47
4014.130QD.012	304.8	279.4	101.6	-	-	254	25.4	177.8	241.3	0.44	10	49
4014.130QD.014	355.6	330.2	127	-	-	304.8	50.8	228.6	292.1	0.51	10	50
4014.130QD.016	406.4	381	76.2	152.4	254	355.6	76.2	266.7	342.9	0.58	10	51
4014.130QD.018	457.2	431.8	76.2	152.4	279.4	406.4	101.6	304.8	393.7	0.66	10	52
4014.130QD.020	508	482.6	101.6	203.2	330.2	457.2	114.3	330.2	444.5	0.73	10	54
4014.130QD.022	558.8	533.4	101.6	203.2	355.6	508	139.7	355.6	495.3	0.8	10	54
4014.130QD.024	609.6	584.2	127	254	406.4	558.8	165.1	381	546.1	0.88	10	52
4014.130QD.026	660.4	635	127	254	431.8	609.6	190.5	406.4	596.9	0.95	10	49
4014.130QD.028	711.2	685.8	152.4	304.8	482.6	660.4	215.9	431.8	647.7	1.02	10	48

Options: Various dimensions of the main profile, slide lengths, extensions, drillings and hole centres to customer requirements



We recommend use the major axis, do not dismantle the slide! The maximum safe load is given for a fully extended pair of slides, mounted on the major axis, with a load spread uniformly along the inner beam.

Material:

- Beams: Automotive grade aluminium 7N01 T5. Clear anodised
- Ball bearings: Hardened steel & chromed.
- Cages: Plated steel Caged ball bearings for smooth extension
- Standard surface finish meets MIL-A-8625 Type II
- Silent & light weight: 30% the weight of steel slides