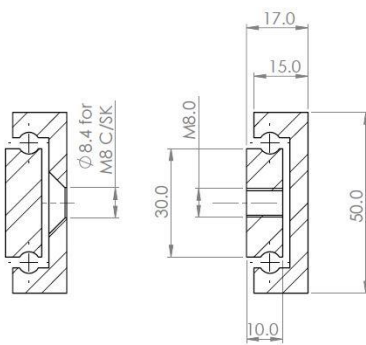
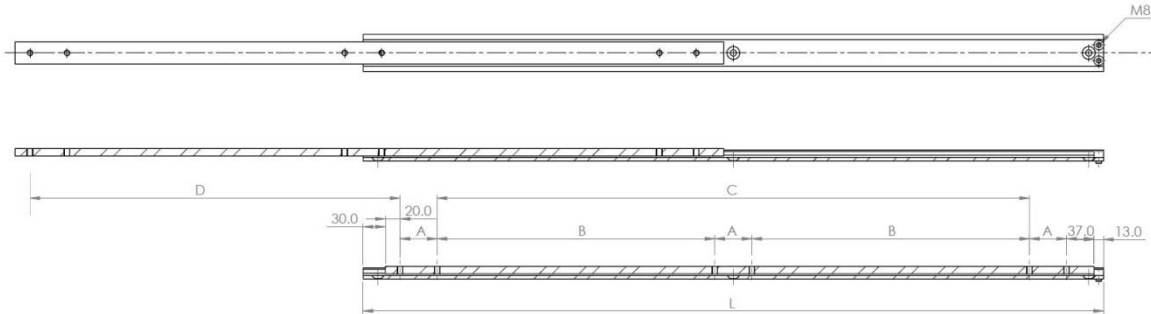


SOWS050



Mounting details
Refer to drill table hole pitches

Configuration Table					
Part Number	Installation	Extension	Load Per Pair (kg)	Drill Table	
	Length "L"	Length "D"		"A"	"B"
4015.SOWS050.0200	200	100	290	50	
4015.SOWS050.0250	250	125	300	50	50
4015.SOWS050.0300	300	150	310	50	100
4015.SOWS050.0350	350	175	320	50	150
4015.SOWS050.0400	400	200	330	50	200
4015.SOWS050.0450	450	225	340	50	250
4015.SOWS050.0500	500	250	350	50	300
4015.SOWS050.0550	550	275	340	50	150
4015.SOWS050.0600	600	300	330	50	175
4015.SOWS050.0650	650	325	320	50	200
4015.SOWS050.0700	700	350	310	50	225
4015.SOWS050.0750	750	375	300	50	250
4015.SOWS050.0800	800	400	290	50	275
4015.SOWS050.0850	850	425	280	50	300
4015.SOWS050.0900	900	450	270	50	325
4015.SOWS050.0950	950	475	260	50	350
4015.SOWS050.1000	1000	500	250	50	375
4015.SOWS050.1050	1050	525	240	50	400
4015.SOWS050.1100	1100	550	230	50	425
4015.SOWS050.1150	1150	575	225	50	450
4015.SOWS050.1200	1200	600	220	50	475
4015.SOWS050.1250	1250	625	215	50	500
4015.SOWS050.1300	1300	650	205	50	525
4015.SOWS050.1350	1350	675	200	50	550
4015.SOWS050.1400	1400	700	190	50	575
4015.SOWS050.1450	1450	725	180	50	600
4015.SOWS050.1500	1500	750	170	50	625

Options: Various dimensions of the main profile, slide lengths, extensions, drillings and hole centres to customer requirements



We recommend use the major axis, do not dismantle the slide! The maximum safe load is given for a fully extended pair of slides, mounted on the major axis, with a load spread uniformly along the inner beam.



- Material:** All stainless steel parts
- Beams:** Stainless 316L (1.4404) cold drawn & precision milled
- Ball bearings:** Stainless 316L (1.4404)
- Ball cages:** Stainless 430 Ferritic (1.4016)
- End bolts:** Stainless A2 304 (1.4301)
- Surface treatment:** Polished
- Temperature range:** Cryogenic to ~800° C with suitable lubrication & material yield strength reduction