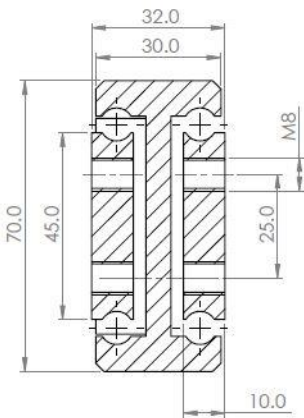
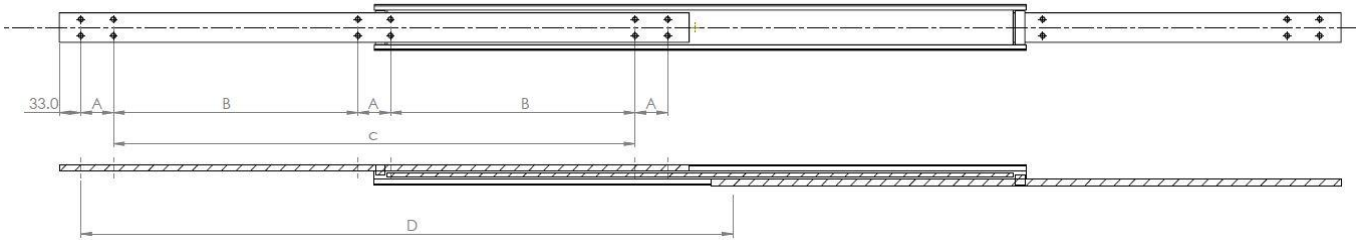


SDTSB070



Mounting details
Refer to drill table hole pitches

Configuration Table						
Part Number	Installation Length "L"	Extension Length "D"	Load Per Pair (kg)	Drill Table		
				"A"	"B"	"C"
4015.SDTSB070.0400	400	400	600	50		200
4015.SDTSB070.0450	450	450	625	50		250
4015.SDTSB070.0500	500	500	630	50		300
4015.SDTSB070.0550	550	550	645	50		350
4015.SDTSB070.0600	600	600	650	50		400
4015.SDTSB070.0650	650	650	630	50	200	
4015.SDTSB070.0700	700	700	615	50	225	
4015.SDTSB070.0750	750	750	595	50	250	
4015.SDTSB070.0800	800	800	575	50	275	
4015.SDTSB070.0850	850	850	560	50	300	
4015.SDTSB070.0900	900	900	535	50	325	
4015.SDTSB070.0950	950	950	510	50	350	
4015.SDTSB070.1000	1000	1000	495	50	375	
4015.SDTSB070.1050	1050	1050	475	50	400	
4015.SDTSB070.1100	1100	1100	455	50	425	
4015.SDTSB070.1150	1150	1150	435	50	450	
4015.SDTSB070.1200	1200	1200	415	50	475	
4015.SDTSB070.1250	1250	1250	395	50	500	
4015.SDTSB070.1300	1300	1300	375	50	525	

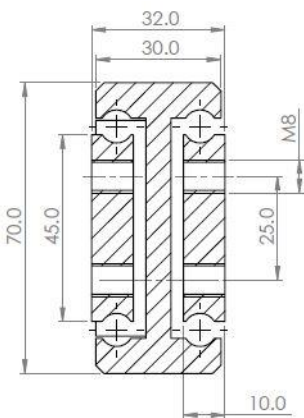
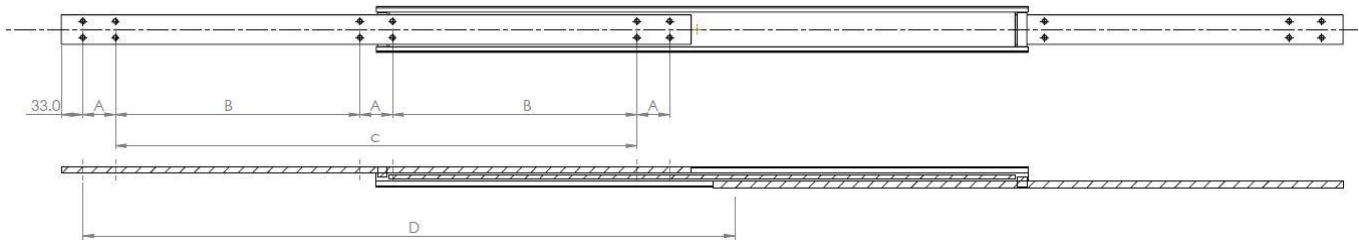
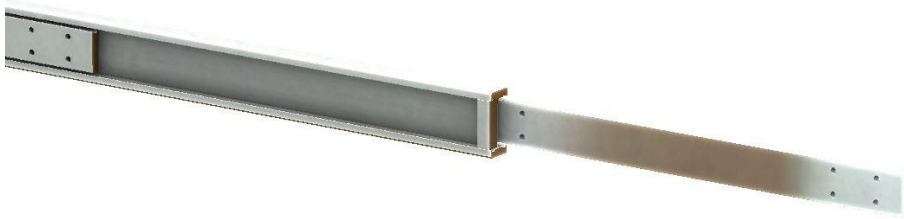
Options: Various dimensions of the main profile, slide lengths, extensions, drills and hole centres to customer requirements



We recommend use the major axis, do not dismantle the slide! The maximum safe load is given for a fully extended pair of slides, mounted on the major axis, with a load spread uniformly along the inner beam.

- Material:** All stainless steel parts
- Beams:** Stainless 316L (1.4404) cold drawn & precision milled
- Ball bearings:** Stainless 316L (1.4404)
- Ball cages:** Stainless 430 Ferritic (1.4016)
- End bolts:** Stainless A2 304 (1.4301)
- Surface treatment:** Polished
- Temperature range:** Cryogenic to ≈800° C with suitable lubrication & material yield strength reduction

SDTSB070



Configuration Table						
Part Number	Installation Length "L"	Extension Length "D"	Load Per Pair (kg)	Drill Table		
				"A"	"B"	"C"
4015.SDTSB070.1350	1350	1350	355	50	550	
4015.SDTSB070.1400	1400	1400	335	50	575	
4015.SDTSB070.1450	1450	1450	295	50	600	
4015.SDTSB070.1500	1500	1500	260	50	625	
4015.SDTSB070.1550	1550	1550	240	50	650	
4015.SDTSB070.1600	1600	1600	230	50	675	
4015.SDTSB070.1650	1650	1650	220	50	700	
4015.SDTSB070.1700	1700	1700	210	50	725	
4015.SDTSB070.1750	1750	1750	200	50	750	
4015.SDTSB070.1800	1800	1800	190	50	775	

Options: Various dimensions of the main profile, slide lengths, extensions, drillings and hole centres to customer requirements

Mounting details
Refer to drill table hole pitches



We recommend use the major axis, do not dismantle the slide! The maximum safe load is given for a fully extended pair of slides, mounted on the major axis, with a load spread uniformly along the inner beam.

DE All stainless steel parts
 Beams: Stainless 316L (1.4404) cold drawn & precision milled
 Ball bearings: Stainless 316L (1.4404)
 Ball cages: Stainless 430 Ferritic (1.4016)
 End bolts: Stainless A2 304 (1.4301)
 Surface treatment: Polished
 Temperature range: Cryogenic to ≈800° C with suitable lubrication & material yield strength reduction

PROFESSIONAL RANGE Stainless Steel