

FR 712 SCC

LOCKING SYSTEM

stainless locking catch to hold drawer shut

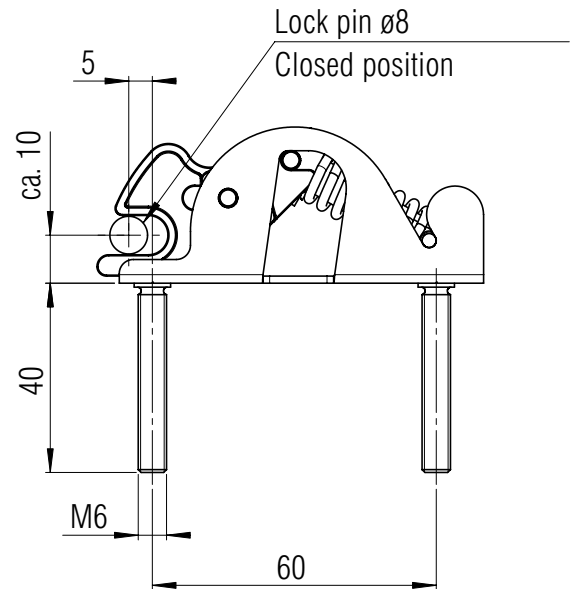
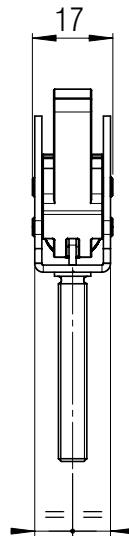
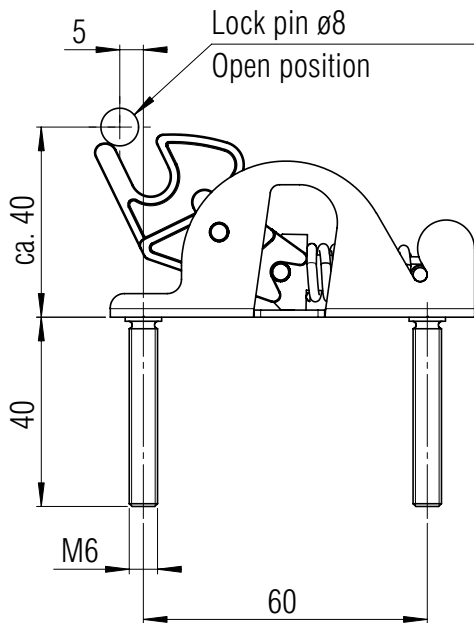
MATERIAL:

stainless steel



SPECIFICATIONS:

- ▶ A positive locking device with a compression spring
- ▶ CS lock pin



Type	Order No.
Locking System	▶ 6100067
Packing Unit: 1 piece	▶ prompt delivery