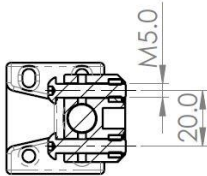
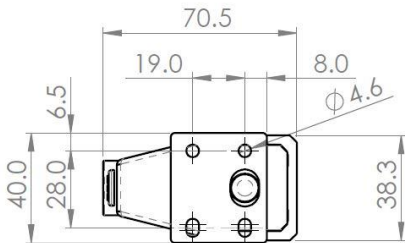
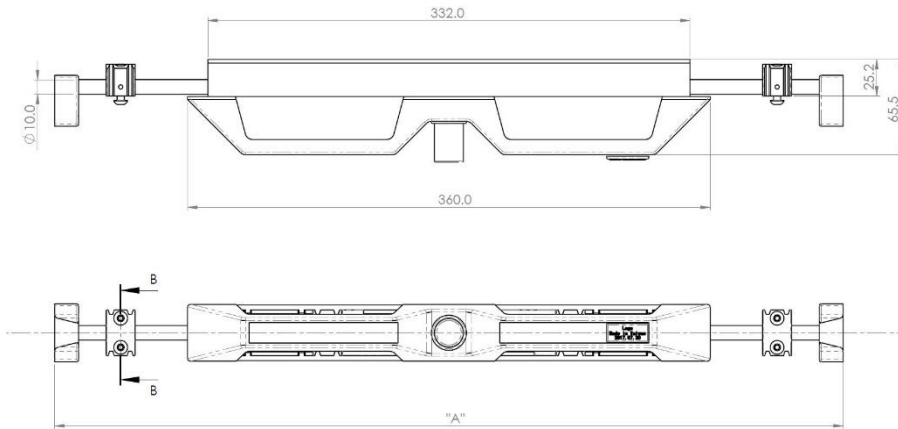


4073.D3000



Configuration Table			
Part Number	Closed Length "A"	Extension Length	Load Per Pair (kg)
4073.D3000.0540	540	540	500
4073.D3000.1040	1040	1040	500
4073.D3000.1540	1540	1540	500

Options: Handles are available in Black and Yellow



SECTION B-B

We recommend use the major axis, do not dismantle the slide! The maximum safe load is given for a fully extended pair of slides, mounted on the major axis, with a load spread uniformly along the inner beam.

Material:

- Handle - Polyamide, 35% glass fibre reinforced.
- Bars – Stainless steel grade 304
- Plastic parts – Polyamide, 35% glass fibre reinforced
- Plunger, casing & end stops – Polyamide, 35% glass fibre reinforced
- Springs – 304 Stainless steel

'UK Company, Global Reach'