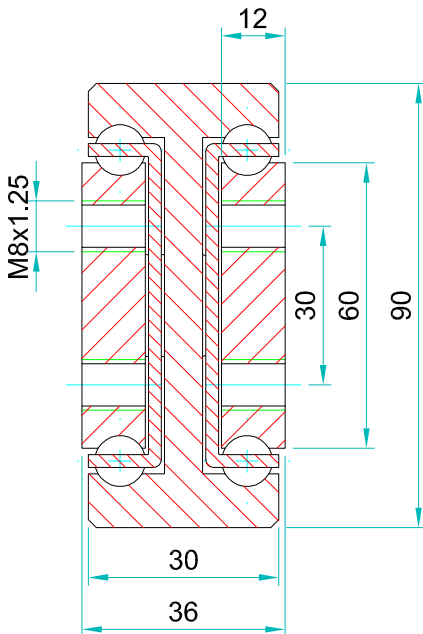


SDTS-90 weighs 19.95 kg/m. Sold as singles

Part number	Closed Length:L	Extension Length:D	Load per Pair : kg	Drilling pattern		
				"A"	"B"	"C"
4015.SDTS090.0200	200	200	455	50	-	-
4015.SDTS090.0250	250	250	504	50	-	50
4015.SDTS090.0300	300	300	546	50	-	100
4015.SDTS090.0350	350	350	581	50	-	150
4015.SDTS090.0400	400	400	602	50	-	200
4015.SDTS090.0450	450	450	623	50	-	250
4015.SDTS090.0500	500	500	658	50	-	300
4015.SDTS090.0550	550	550	672	50	-	350
4015.SDTS090.0600	600	600	686	50	-	400
4015.SDTS090.0650	650	650	700	50	200	-
4015.SDTS090.0700	700	700	721	50	225	-
4015.SDTS090.0750	750	750	728	50	250	-
4015.SDTS090.0800	800	800	735	50	275	-
4015.SDTS090.0850	850	850	731	50	300	-
4015.SDTS090.0900	900	900	721	50	325	-
4015.SDTS090.0950	950	950	710	50	350	-
4015.SDTS090.1000	1000	1000	696	50	375	-
4015.SDTS090.1050	1050	1050	686	50	400	-
4015.SDTS090.1100	1100	1100	665	50	425	-
4015.SDTS090.1150	1150	1150	644	50	450	-
4015.SDTS090.1200	1200	1200	630	50	475	-
4015.SDTS090.1250	1250	1250	616	50	500	-
4015.SDTS090.1300	1300	1300	595	50	525	-
4015.SDTS090.1350	1350	1350	574	50	550	-
4015.SDTS090.1400	1400	1400	553	50	575	-
4015.SDTS090.1450	1450	1450	518	50	600	-
4015.SDTS090.1500	1500	1500	497	50	625	-
4015.SDTS090.1550	1550	1550	483	50	650	-
4015.SDTS090.1600	1600	1600	462	50	675	-



**Do not dismantle the slide!**



The maximum safe working load is stated for a fully extended pair of slides, mounted upright. Use all fixing holes and spread the load evenly across the inner beam.

Flat mounting: Reduce the load by 60-80%. We recommend the use of strong L brackets for under or floor mount.

Deflection is calculated at approx 1% of the closed length, at or near full load capacity.

Options:

- 'F' - One mounting beam countersunk
- 'FF' - Both beams countersunk
- 'V' - V shaped raceways (bi-directional slides)
- '120' - 120% over-extension of standard slide

**Bespoke length, drilling pattern & extension on request**

**Material:** All austenitic stainless steel parts

**Beams:** Stainless 316L (1.4404) precision milled

**Ball bearings:** Stainless 316L (1.4404)

**Ball cages:** Stainless 316L (1.4404)

**End bolts/pins:** Stainless A2 304 (1.4301)

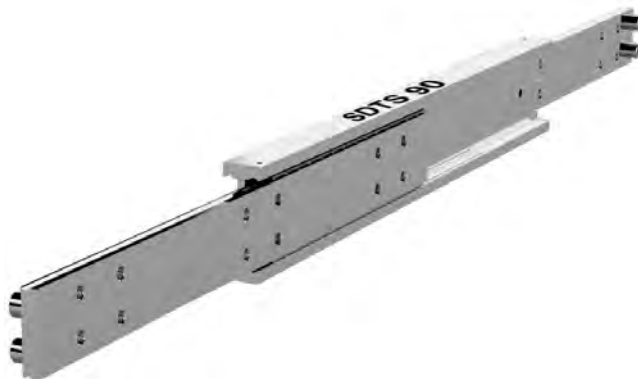
**Surface treatment:** Polished

**Temperature range:** Cryogenic to  $\approx 800^{\circ}$  C with suitable lubrication & material yield strength reduction

**Lubrication:** We apply and recommend lithium based EP3 grease for general applications. High & low temp grease upon request

**Thread pitches:** As per end profile image - coarse

SDTS-90 weighs 19.95 kg/m. Sold as singles				Drilling pattern		
Part number	Closed Length:L	Extension Length:D	Load per Pair : kg	"A"	"B"	"C"
4015.SDTS090.1650	1650	1650	448	50	700	
4015.SDTS090.1700	1700	1700	434	100	650	
4015.SDTS090.1750	1750	1750	406	100	675	
4015.SDTS090.1800	1800	1800	378	100	700	
4015.SDTS090.1850	1850	1850	350	100	725	
4015.SDTS090.1900	1900	1900	329	100	750	
4015.SDTS090.1950	1950	1950	308	100	775	
4015.SDTS090.2000	2000	2000	294	100	800	
4015.SDTS090.2050	2050	2050	287	100	825	
4015.SDTS090.2100	2100	2100	280	100	850	
4015.SDTS090.2150	2150	2150	273	100	875	
4015.SDTS090.2200	2200	2200	266	100	900	
4015.SDTS090.2250	2250	2250	259	100	925	
4015.SDTS090.2300	2300	2300	252	100	950	
4015.SDTS090.2350	2350	2350	245	100	975	
4015.SDTS090.2400	2400	2400	238	100	1000	
4015.SDTS090.2450	2450	2450	231	100	1025	
4015.SDTS090.2500	2500	2500	224	100	1050	
4015.SDTS090.2550	2550	2550	217	100	1075	
4015.SDTS090.2600	2600	2600	210	100	1100	
4015.SDTS090.2650	2650	2650	203	100	1125	
4015.SDTS090.2700	2700	2700	196	100	1150	
4015.SDTS090.2750	2750	2750	189	100	1175	
4015.SDTS090.2800	2800	2800	182	100	1200	
4015.SDTS090.2850	2850	2850	175	100	1225	
4015.SDTS090.2900	2900	2900	168	100	1250	
4015.SDTS090.2950	2950	2950	161	100	1275	
4015.SDTS090.3000	3000	3000	154	100	1300	



If mounting on the indirect axis, flat, as in the image above, reduce the load capacity by 60-80% and allow for increased deflection, or contact our engineers to request accurate FEA load analysis for OEM projects. We load rate per fully extended pair of slides on the direct axis, upright, with uniform loading across the beams. If load capacities need to be increased, please contact us for technical advice.



**'Global Company, Global Reach'**