

# FR 6500

<b>SLIDE TYPE:</b>	Full-Extension Drawer Slide - Telescopic-Action
<b>MOUNTING:</b>	Bottom Mount

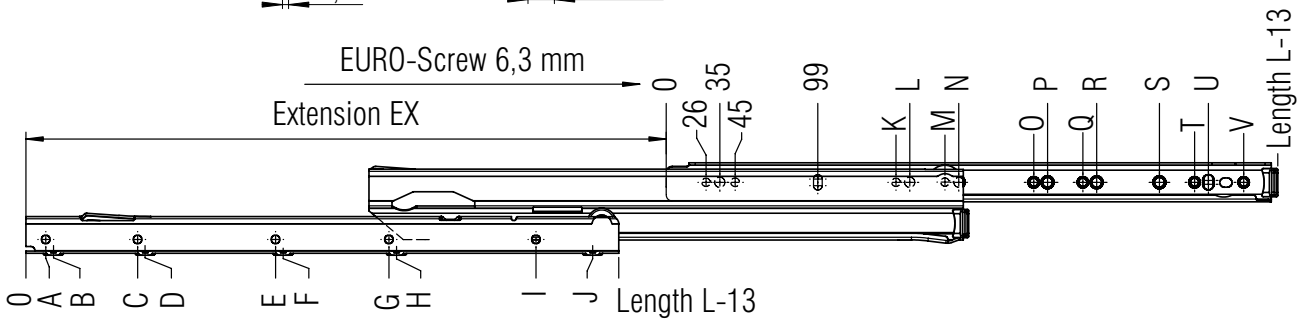
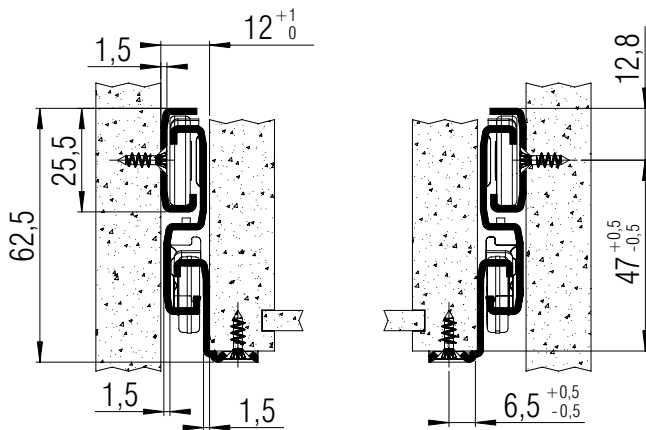
<b>WIDTH:</b>	12 mm
<b>LOAD CAPACITY:</b>	dynamic up to 50 kg



<b>MATERIAL:</b>	steel or white powder coated
------------------	------------------------------

<b>FEATURES:</b>	solid delrin* rollers, silent rollers
------------------	---------------------------------------

<b>SPECIFICATIONS &amp; NOTES:</b>
<ul style="list-style-type: none"> <li>▶ lateral stability provided by specially shaped profiles</li> <li>▶ with impact-absorbing stop and overrun safety clip already mounted in middle profile</li> <li>▶ easy mounting and removal of middle profile</li> <li>▶ special reinforcement of middle profile</li> <li>▶ special geometry of backstops and self-closing features ensures quiet operation and precise guidance of middle profile</li> <li>▶ with over-extension (standard)</li> <li>▶ double-sided captive profile</li> <li>▶ self-closing</li> </ul>
<p>① compatible with regular-extension drawer slides FR 2021, FR 2022 and the FR 2026 in the 32 mm system</p>



screw holes for 3,5 mm spax screws

L	EX	A	B	C	D	E	F	G	H	I	J	K	L	M	N	O	P	Q	R	S	T	U	V	Weight per pair kg	Order No. white
200	200			42							170	122	131	154	163									0,79	▶ 1200
250	250		28								220	186	195	218	227									0,97	▶ 1201
300	320		46		142						270	250		282		227						259		1,18	▶ 1202
350	370	27	32	187	192					283	320	250		282	291	227						259		1,36	▶ 1203
400	420	13	18	237	242					333	370	250		282	291	227						259		1,54	▶ 1204
450	470	31	36	287	292					383	420	250	259	282	291	387	410					419		1,73	▶ 1205
500	550	17	22	113	118	337	342			433	470	250	259	282	291	442	419	474	483			451		1,94	▶ 1206
550	570	35	40	163	168	387	392			483	520	250	259	282	291	506	483	538				515		2,11	▶ 1207
600	620	21	26	213	218	437	442			533	570	250	259	282	291	506	483	538	547			515		2,29	▶ 1208
650	670	39	44	263	268	487	492			583	620	250	259	282	291	506	483	538	547			515		2,48	▶ 1260
700	750	25	30	185	190	313	318	537	542	633	670	250	259	282	291	506	483	538	547			515		2,67	▶ 1261
750	770	43	48	235	240	363	368	587	592	683	720	250	259	282	291	506	515	538	547	675	698	707	730	2,85	▶ 1262
800	820	29	34	221	226	413	418	637	642	733	770	250	259	282	291	506	515	538	547	739	762	771		3,05	▶ 1263

Packing Unit: 10 sets per box

▶ prompt delivery

**SLIDING**  
SYSTEMS

**Fulterer**

Unit 9, Gledrid Industrial Park, Chirk, Wrexham, UK, LL14 5DG / Tel: +44 (0)1691 770303 / Fax: +44 (0)1691 776900 / Email: info@gsfslides.com