

FR 6010

SLIDE TYPE:	Full-Extension Drawer Slide - Telescopic-Action
MOUNTING:	Side Mount

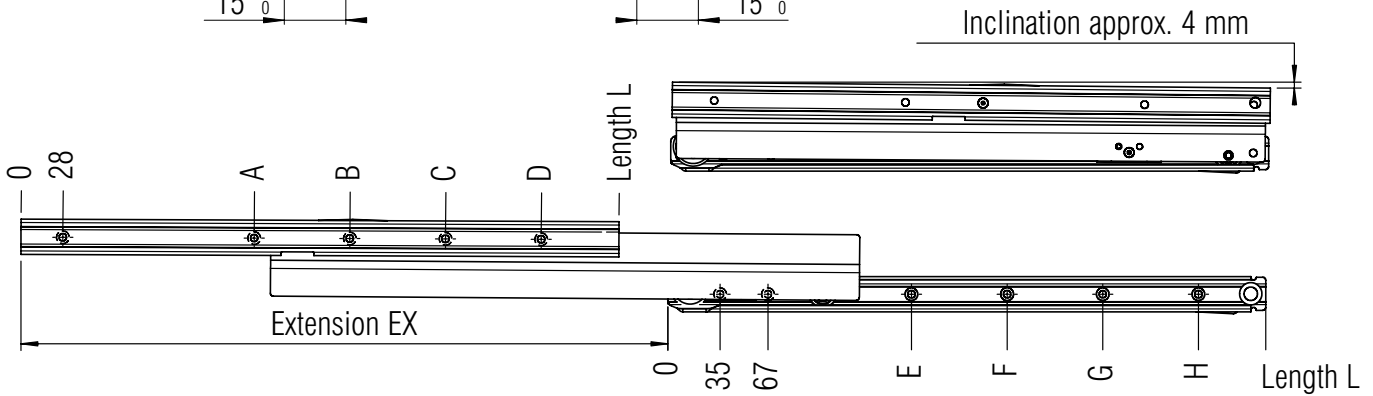
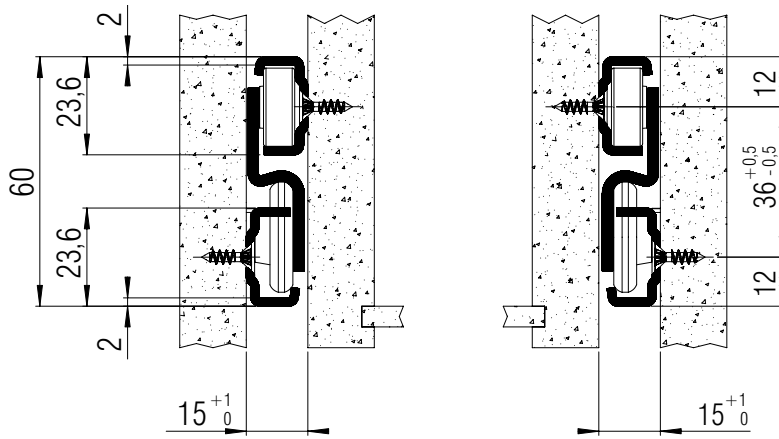
WIDTH:	15 mm
LOAD CAPACITY:	dynamic up to 50 kg



MATERIAL:	steel, galvanized
------------------	-------------------

FEATURES:	delrin* encased steel ball bearings
------------------	-------------------------------------

SPECIFICATIONS:	<ul style="list-style-type: none"> ▶ excellent lateral stability provided by specially shaped profiles ▶ with over-extension of at least 30 mm (standard) ▶ holdout catch on middle profile for easy drawer insertion ▶ double holes at front of cabinet profile reinforce against heaviest loads ▶ double-sided captive profile ▶ soft stop
------------------------	--



screw holes for 3,5 mm spax screws

L mm	EX mm	A mm	B mm	C mm	D mm	E mm	F mm	G mm	H mm	Weight per pair (kg)	Order No. galvanized
300	300	124	252			131	259			1,51	▶ 2500
350	380	156	284			163	291			1,74	▶ 2501
400	430	156	316			163	323			1,97	▶ 2502
450	480	188	380			195	387			2,20	▶ 2503
500	530	156	284	412		163	291	419		2,43	▶ 2504
550	580	156	316	476		163	323	483		2,67	▶ 2505
600	630	188	348	540		195	355	515		2,90	▶ 2506
650	680	188	380	572		195	387	579		*	*
700	730	124	252	476	636	163	323	483	643	*	*
750	780	156	284	508	700	195	355	515	675	*	*
800	830	188	316	540	732	195	355	547	739	*	*

Packing Unit: 6 sets per box

▶ prompt delivery * on request

SLIDING
SYSTEMS

Fulterer

Unit 9, Gledrid Industrial Park, Chirk, Wrexham, UK, LL14 5DG / Tel: +44 (0)1691 770303 / Fax: +44 (0)1691 776900 / Email: info@gsfslides.com