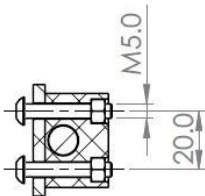
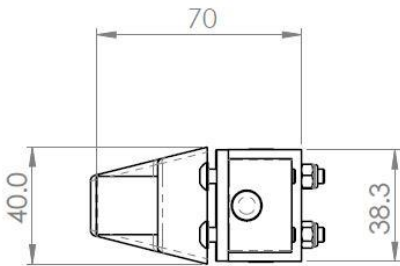
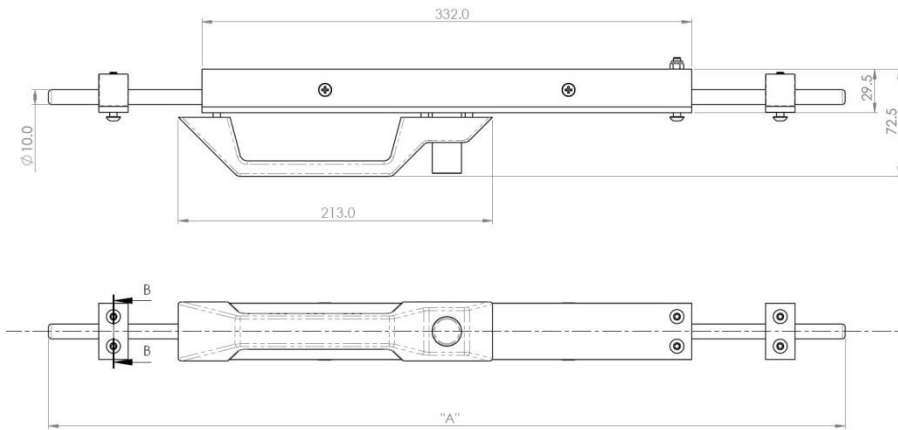


**4073.HAND**



SECTION B-B



We recommend use the major axis, do not dismantle the slide! The maximum safe load is given for a fully extended pair of slides, mounted on the major axis, with a load spread uniformly along the inner beam.

Configuration Table			
Part Number	Closed Length "A"	Extension Length	Load Per Pair (kg)
4073.HAND.0540	540	540	500
4073.HAND.1040	1040	1040	500
4073.HAND.1540	1540	1540	500
4073.HAND.2040	2040	2040	500

Options: Handles are available in Black and Yellow

**Material:**

Handle - Cast alloy 6060 T6. Power coated matt paint finish.  
 Bars – Stainless steel grade 304  
 Plastic parts – Polyamide, 30% glass fibre reinforced  
 Plunger, casing & end stops – Machined 6060 T6 Aluminium  
 Springs – 304 Stainless steel

*'UK Company, Global Reach'*