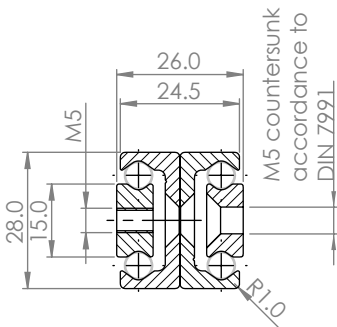
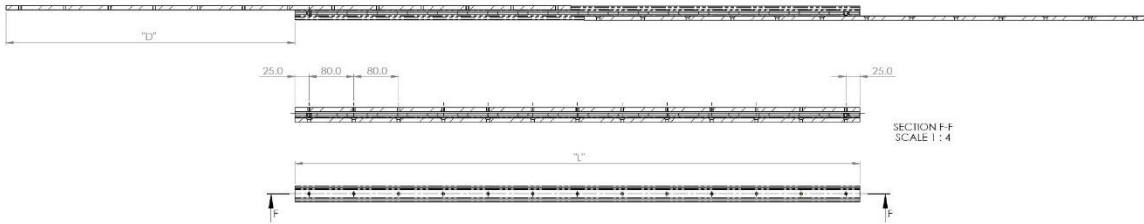


TDB28 FULL EXTENSION



Mounting details

Configuration & Load Table					
Part Number	Installation Length "L"	Extension Length 2x "D"	Load Capacity		C100 (N)
			Cy (N)	Cz (N)	
4080.TDB28.0130	130	148	236	165	358
4080.TDB28.0210	210	232	433	303	656
4080.TDB28.0290	290	296	768	538	1155
4080.TDB28.0370	370	380	969	472	1157
4080.TDB28.0450	450	464	1170	386	1760
4080.TDB28.0530	530	548	1108	326	2065
4080.TDB28.0610	610	633	956	281	2370
4080.TDB28.0690	690	717	845	248	2673
4080.TDB28.0770	770	801	754	220	2978
4080.TDB28.0850	850	866	712	209	3489
4080.TDB28.0930	930	950	647	190	3785
4080.TDB28.1010	1010	1034	593	175	1088
4080.TDB28.1090	1090	1118	548	161	4389
4080.TDB28.1170	1170	1202	509	150	4691

Load capacity are stated per single extended slide Axial (Y) & Coaxial (Z) in Newtons

Options: Various dimensions of the main profile, slide lengths, extensions, drillings and hole centres to customer requirements

- Material:** Beams: Cold drawn steel CF53
- Induction hardened raceways 58+4 HRC
- Depth of hardening: Min 0.8mm
- Black zinc passivate corrosion protection
- Four point bearing contact bearings with zero clearance
- Bearings: GCr15 60+4 HRC, Cage material: SPCC
- Two way travel by removal of stop screw
- Max operational temp: 170 degs C (+hi-temp lube)
- Max operating speed: 0.8 m/s
- We recommend external stops are used during operation



We recommend use the major axis, do not dismantle the slide! The maximum safe load is given for a fully extended pair of slides, mounted on the major axis, with a load spread uniformly along the inner beam.

'UK Company, Global Reach'