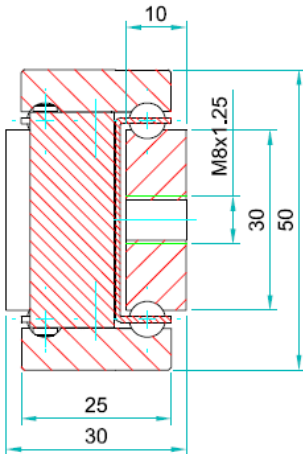


Full traversing is 2 x D when the slide is mounted in the open position



ADTSB-50 weighs 3.46kg/m sold as singles				Hole pattern		
Part Number	Installation Length: L	Extension Length: D	Load per pair: kg	"A"	"B"	"C"
ADTSB050.0200	200	200	110	50		
ADTSB050.0250	250	250	120	50		50
ADTSB050.0300	300	300	130	50		100
ADTSB050.0350	350	350	140	50		150
ADTSB050.0400	400	400	150	50		200
ADTSB050.0450	450	450	160	50		250
ADTSB050.0500	500	500	170	50		300
ADTSB050.0550	550	550	180	50	150	
ADTSB050.0600	600	600	175	50	175	
ADTSB050.0650	650	650	170	50	200	
ADTSB050.0700	700	700	165	50	225	
ADTSB050.0750	750	750	160	50	250	
ADTSB050.0800	800	800	155	50	275	
ADTSB050.0850	850	850	150	50	300	
ADTSB050.0900	900	900	145	50	325	
ADTSB050.0950	950	950	140	50	350	
ADTSB050.1000	1000	1000	135	50	375	
ADTSB050.1050	1050	1050	130	50	400	
ADTSB050.1100	1100	1100	125	50	425	
ADTSB050.1150	1150	1150	120	50	450	
ADTSB050.1200	1200	1200	115	50	475	
ADTSB050.1250	1250	1250	108	50	500	
ADTSB050.1300	1300	1300	100	50	525	
ADTSB050.1350	1350	1350	92	50	550	
ADTSB050.1400	1400	1400	84	50	575	
ADTSB050.1450	1450	1450	76	50	600	
ADTSB050.1500	1500	1500	66	50	625	



Professional Range - Aluminium

Bi-Directional Telescopic Slide

Type: ADTSB-50

Version: 2021/1

ADTSB-50

SLIDING
SYSTEMS

Options:

- 'F' - One mounting beam countersunk
- 'FF' - Both beams countersunk
- 'SC' - Stainless steel 316L ball cages
- 'SA' - Stainless 316L end bolts & retaining pins

Bespoke length, drilling pattern & extension on request



If mounting on the indirect axis, flat, as in the image above, reduce the load capacity by 60-80% and allow for increased deflection, or contact our engineers to request accurate FEA load analysis for OEM projects. We load rate per fully extended pair of slides on the direct axis, upright, with uniform loading across the beams. If load capacities need to be increased, please contact us for technical advice.

Material:

Beams: EN-AW 6082 T6, anodized acc. 8S1615 M10

Ball bearings: Stainless steel AISI-316L (1.4404)

Ball cages: Stainless steel. sheet 304 (1.4301). Laser cut

End bolts: Stainless steel A2 304 (1.4301)

Surface Protection: Anodized to BS 1615 AA10 (max length 1100mm). Lengths 1150mm+ supplied raw, un-anodised.

Temperature range: We recommend -40 to +200° C with low/high-temp lubrication and free movement to allow for expansion.

Lubrication: We apply and recommend lithium based EP3 grease for general applications. High & low temp grease upon request

Thread pitches: As per end profile image - coarse

Do not dismantle the slide!



The maximum safe working load is stated for a fully extended pair of slides, mounted upright. Use all fixing holes and spread the load evenly across the inner beam.

Flat mounting: Reduce the load by 60-80%.

We recommend the use of strong L brackets for under or floor mount.

Deflection is calculated at approx 1% of the closed length, at or near full load capacity.



We do not recommend standard ADTSB slides on automated/variable robotic pick & place or high speed shuttles. Factory adaptation and customer in situ testing is necessary. Operating speeds <0.3m/s. Consult our engineers



'Global Company, Global Reach'