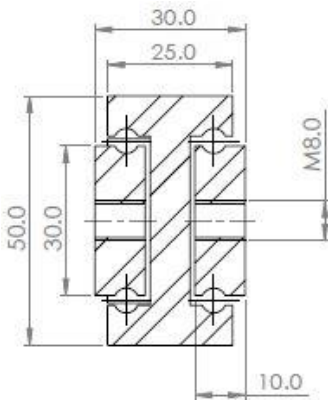
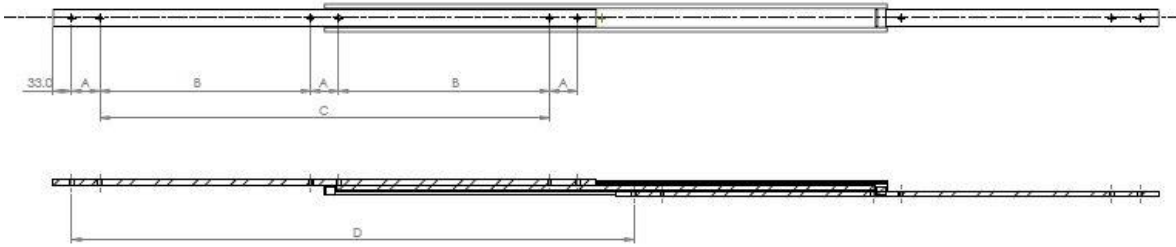


**DTSB050**



Mounting details  
Refer to drill table hole  
pitches

Configuration Table						
Part Number	Installation Length "L"	Extension Length "D"	Load Per Pair (kg)	Drill Table		
				"A"	"B"	"C"
4015.DTSB050.0300	300	300	370	50		100
4015.DTSB050.0350	350	350	360	50		150
4015.DTSB050.0400	400	400	350	50		200
4015.DTSB050.0450	450	450	340	50		250
4015.DTSB050.0500	500	500	330	50		300
4015.DTSB050.0550	550	550	320	50	150	
4015.DTSB050.0600	600	600	310	50	175	
4015.DTSB050.0650	650	650	300	50	200	
4015.DTSB050.0700	700	700	290	50	225	
4015.DTSB050.0750	750	750	280	50	250	
4015.DTSB050.0800	800	800	270	50	275	
4015.DTSB050.0850	850	850	260	50	300	
4015.DTSB050.0900	900	900	250	50	325	
4015.DTSB050.0950	950	950	240	50	350	
4015.DTSB050.1000	1000	1000	230	50	375	
4015.DTSB050.1050	1050	1050	220	50	400	
4015.DTSB050.1100	1100	1100	210	50	425	
4015.DTSB050.1150	1150	1150	205	50	450	
4015.DTSB050.1200	1200	1200	200	50	475	
4015.DTSB050.1250	1250	1250	195	50	500	
4015.DTSB050.1300	1300	1300	190	50	525	

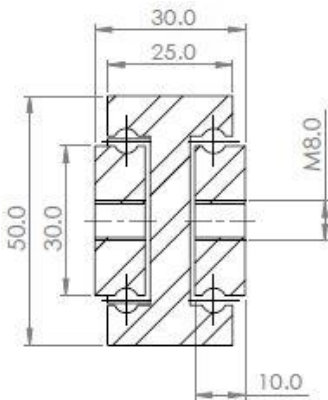
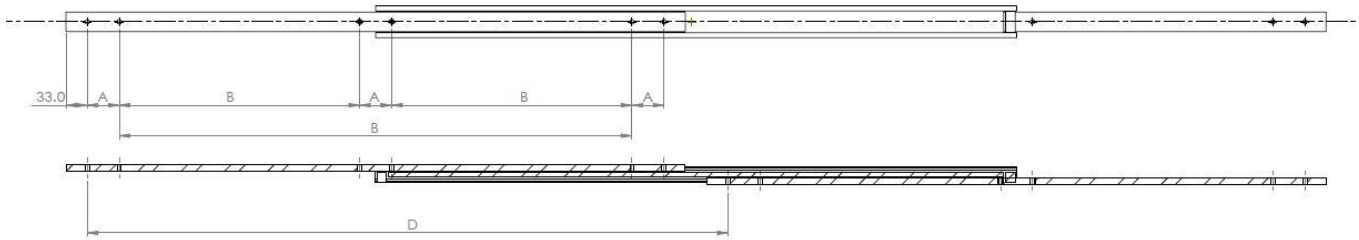
Options: Various dimensions of the main profile, slide lengths, extensions, drills and hole centres to customer requirements



We recommend use the major axis, do not dismantle the slide! The maximum safe load is given for a fully extended pair of slides, mounted on the major axis, with a load spread uniformly along the inner beam.

- Material:** All steel parts
- Beams:** C45 E+C carbon steel. Cold drawn with milled raceways.
- Ball cages:** Sheet steel End Bolts: ASTM A307
- Steel surface protection:** Zinc & passivated - 10-12 micron  $\mu$
- Ball bearings:** Chromed C85, G100: DIN 5401 (Option SS 316L)
- Maximum temperature:** We recommend is 250°C with high-temp lubrication and free movement to allow for steel expansion.

**DTSB050**



Mounting details  
Refer to drill table hole pitches

Part Number	Installation Length "L"	Extension Length "D"	Load Per Pair (kg)	Drill Table		
				"A"	"B"	"C"
4015.DTSB050.1350	1350	1350	185	50	550	
4015.DTSB050.1400	1400	1400	180	50	575	
4015.DTSB050.1450	1450	1450	170	50	600	
4015.DTSB050.1500	1500	1500	160	50	625	
4015.DTSB050.1550	1550	1550	150	50	650	
4015.DTSB050.1600	1600	1600	140	50	675	

Options: Various dimensions of the main profile, slide lengths, extensions, drillings and hole centres to customer requirements



We recommend use the major axis, do not dismantle the slide! The maximum safe load is given for a fully extended pair of slides, mounted on the major axis, with a load spread uniformly along the inner beam.

**Material:** All steel parts  
**Beams:** C45 E+C carbon steel. Cold drawn with milled raceways.  
**Ball cages:** Sheet steel End Bolts: ASTM A307  
**Steel surface protection:** Zinc & passivated - 10-12 micron  $\mu$   
**Ball bearings:** Chromed C85, G100: DIN 5401 (Option SS 316L)  
**Maximum temperature:** We recommend is 250°C with high-temp lubrication and free movement to allow for steel expansion.