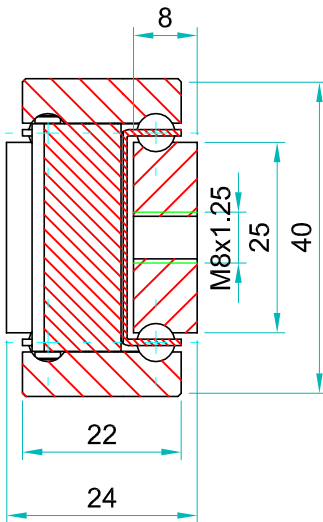
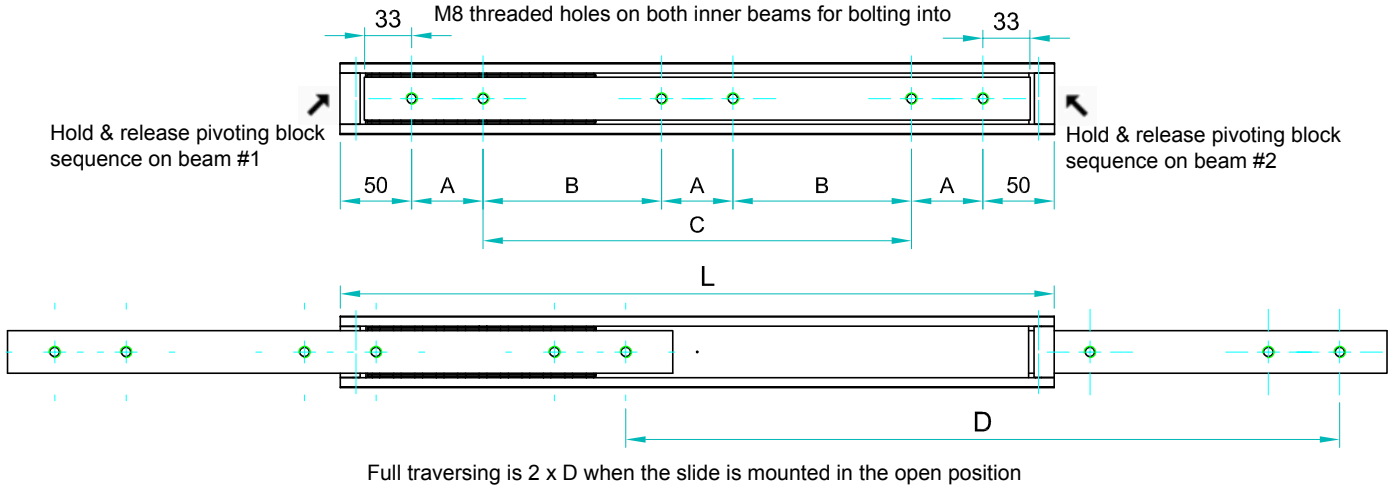




We do not recommend standard DTSB slides on automated/variable robotic pick & place or high speed shuttles. Factory adaptation and customer in situ testing is necessary. Operating speeds <0.3m/s. Consult our engineers ⚠️



DTSB-40 weighs 5.55kg/m. Sold as singles				Drilling Pattern		
Part Number	Closed Length: L	Extension Length: D	Load per Pair: kg	"A"	"B"	"C"
4015.DTSB040.0200	200	200	270	50	-	-
4015.DTSB040.0250	250	250	280	50	-	50
4015.DTSB040.0300	300	300	290	50	-	100
4015.DTSB040.0350	350	350	300	50	-	150
4015.DTSB040.0400	400	400	310	50	-	200
4015.DTSB040.0450	450	450	320	50	-	250
4015.DTSB040.0500	500	500	330	50	-	300
4015.DTSB040.0550	550	550	350	50	150	-
4015.DTSB040.0600	600	600	340	50	175	-
4015.DTSB040.0650	650	650	320	50	200	-
4015.DTSB040.0700	700	700	300	50	225	-
4015.DTSB040.0750	750	750	290	50	250	-
4015.DTSB040.0800	800	800	280	50	275	-
4015.DTSB040.0850	850	850	270	50	300	-
4015.DTSB040.0900	900	900	250	50	325	-
4015.DTSB040.0950	950	950	230	50	350	-
4015.DTSB040.1000	1000	1000	220	50	375	-
4015.DTSB040.1050	1050	1050	210	50	400	-
4015.DTSB040.1100	1100	1100	200	50	425	-
4015.DTSB040.1150	1150	1150	190	50	450	-
4015.DTSB040.1200	1200	1200	180	50	475	-

Options:

- 'F' - One mounting beam countersunk
- 'FF' - Both beams countersunk
- 'SB' - Stainless steel 316L ball bearings
- 'SC' - Stainless steel ball cages
- 'SA' - Stainless end bolts & retaining pins
- 'V' - V shaped raceways (bi-directional slides)

**Bespoke length, drilling pattern & extension on request**

**Do not dismantle the slide!** 

The maximum safe working load is stated for a fully extended pair of slides, mounted upright.

Use all fixing holes and spread the load evenly across the inner beam.

Flat mounting: Reduce the load by 60-80%.

We recommend the use of strong L brackets for under or floor mount.

Deflection is calculated at approx 1% of the closed length, at or near full load capacity.

DTSB-40 weighs 5.55kg/m. Sold as singles				Drilling Pattern		
Part Number	Closed Length: L	Extension Length: D	Load per pair: kg	"A"	"B"	"C"
4015.DTSB040.1250	1250	1250	170	50	500	-
4015.DTSB040.1300	1300	1300	160	50	525	-
4015.DTSB040.1350	1350	1350	155	50	550	-
4015.DTSB040.1400	1400	1400	150	50	575	-
4015.DTSB040.1450	1450	1450	145	50	600	-
4015.DTSB040.1500	1500	1500	140	50	625	-
4015.DTSB040.1550	1550	1550	130	50	650	-
4015.DTSB040.1600	1600	1600	120	50	675	-
4015.DTSB040.1650	1650	1650	110	50	700	-
4015.DTSB040.1700	1700	1700	100	100	650	-
4015.DTSB040.1750	1750	1750	90	100	675	-
4015.DTSB040.1800	1800	1800	80	100	700	-
4015.DTSB040.1850	1850	1850	70	100	725	-
4015.DTSB040.1900	1900	1900	60	100	750	-
4015.DTSB040.1950	1950	1950	50	100	775	-
4015.DTSB040.2000	2000	2000	40	100	800	-



If mounting on the indirect axis, flat, as in the image above, reduce the load capacity by 60-80% and allow for increased deflection, or contact our engineers to request accurate FEA load analysis for OEM projects. We load rate per fully extended pair of slides on the direct axis, upright, with uniform loading across the beams. If load capacities need to be increased, please contact us for technical advice.

**Material:** All steel parts/no plastics

**Beams:** Cold drawn carbon steel C45E+C. EN 10277 milled raceways

**Ball bearings:** Chromed steel C85, G100. Din 5401

**Ball cages:** Zinc plated sheet steel. Laser cut profiles

**End bolts:** Steel ASTM A307

**Surface Protection:** Electrolytic alkaline zinc coating (10-12 microns). conforming to DIN EN ISO 9227 neutral salt spray testing.

No white rust appearance within 120 hours. No red rust within 1,032 hours

**Temperature range:** Steel slides -20°C to +250°C provided the necessary lubricants are applied and the beams are mounted freely to allow expansion

**Lubrication:** We apply and recommend lithium based EP3 grease for general applications. High & low temp grease upon request

**Thread pitches:** As per end profile image - coarse

