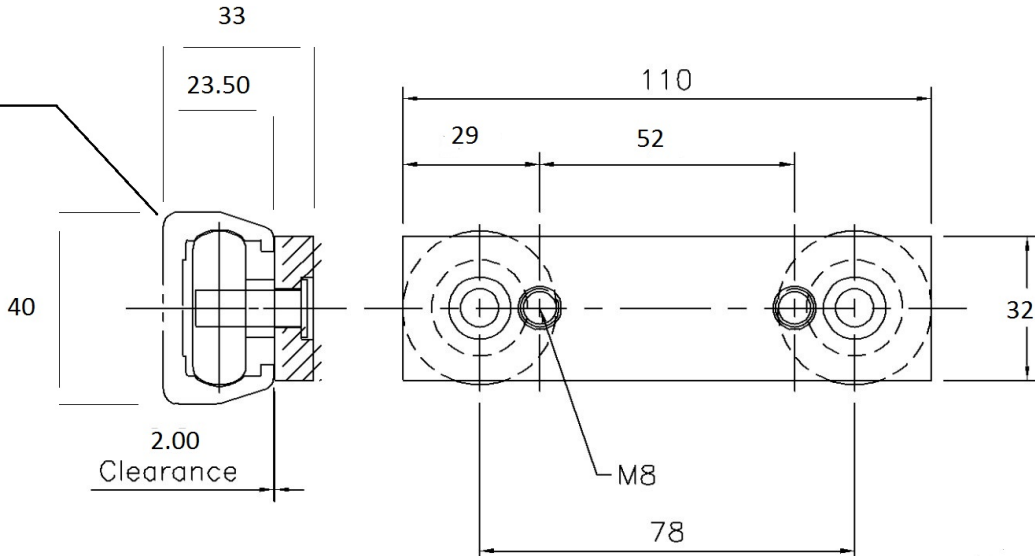


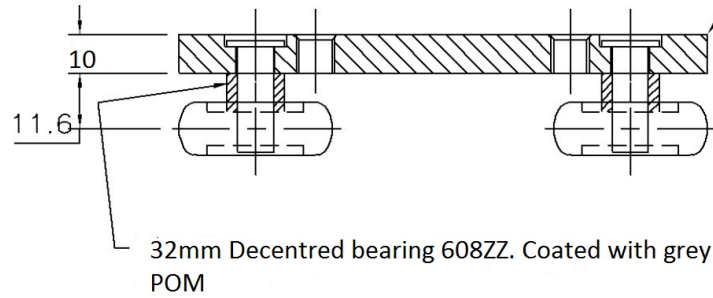
THIS DRAWING MUST NOT BE SCALED

Ref.	Revision note	Date	Initial
------	---------------	------	---------

4070.LINE.001



4070.LINE.002



Part ref:

4070.LINE.001 Aluminium Rail length 2400mm
 4070.LINE.002 Steel Carrier Assembly 80kg loading

Notes: Rail supplied undrilled and cut to length.
 Bearings supplied nylon coated to protect raceways.
 Carrier loading 80kg direct axis, 60 kg flat

GENERAL TOLERANCES U.O.S

0	±0.5
0.0	±0.2
0.00	±0.1

ANGULAR DIMN.
±0.5°

NOTICE—THIS DRAWING IS THE PROPERTY OF GSF LTD. INCLUDING THE PRINCIPLES OF THE DESIGN INVOLVED, AND IS SUBMITTED WITH AGREEMENT THAT IT IS NOT TO BE REPRODUCED, COPIED, OR LOANED, IN PART OR IN WHOLE. ACCEPTANCE OF THIS DRAWING WILL BE CONSTRUED AS AN AGREEMENT TO THE ABOVE.

Item ref	Quantity	Title/Name, designation, material, dimension etc		Article No./Reference	
Drawn by JL	Checked by JL	Approved by JL	Filename FILENAME	Date 22.04.2013	Scale 1:1
		GLEDRID IND.EST. GLEDRID OSWESTRY.SHROPS.UK TEL.+44(0)1691 770303 FAX.+44(0)1691 776900		Aluminium Linear Rail System 4070.LINE.001	
				Edition	Sheet 001
					A3