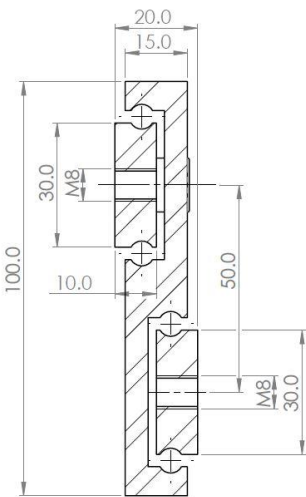
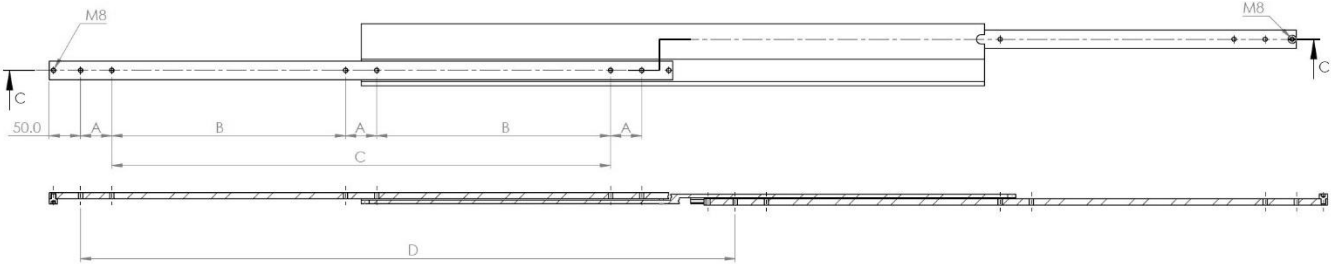


STR100



Mounting details
Refer to drill table hole pitches

Part Number	Configuration Table		Load Per Pair (kg)	Drill Table		
	Installation Length "L"	Extension Length "D"		"A"	"B"	"C"
4015.STR100.0200	200	200	420	50		
4015.STR100.0250	250	250	410	50		50
4015.STR100.0300	300	300	400	50		100
4015.STR100.0350	350	350	390	50		150
4015.STR100.0400	400	400	380	50		200
4015.STR100.0450	450	450	370	50		250
4015.STR100.0500	500	500	360	50		300
4015.STR100.0550	550	550	350	50	150	
4015.STR100.0600	600	600	340	50	175	
4015.STR100.0650	650	650	330	50	200	
4015.STR100.0700	700	700	320	50	225	
4015.STR100.0750	750	750	310	50	250	
4015.STR100.0800	800	800	300	50	275	
4015.STR100.0850	850	850	290	50	300	
4015.STR100.0900	900	900	280	50	325	
4015.STR100.0950	950	950	270	50	350	
4015.STR100.1000	1000	1000	260	50	375	

Options: Various dimensions of the main profile, slide lengths, extensions, drillings and hole centres to customer requirements

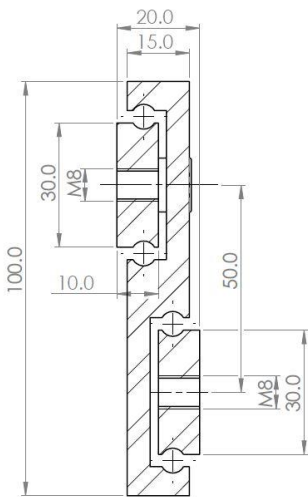
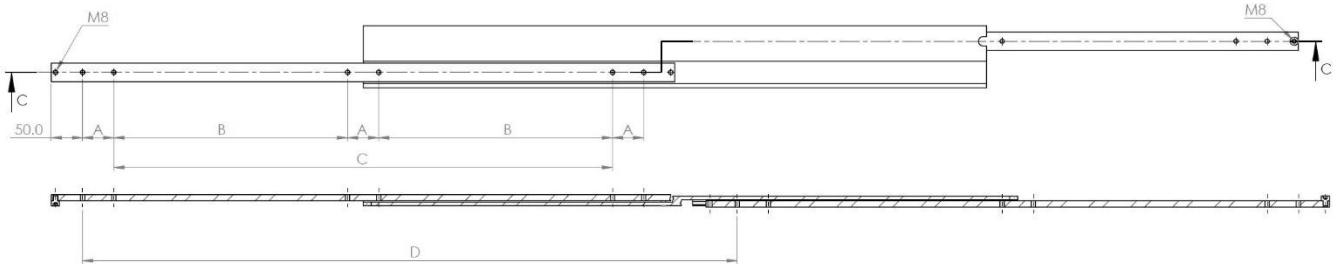


We recommend use the major axis, do not dismantle the slide! The maximum safe load is given for a fully extended pair of slides, mounted on the major axis, with a load spread uniformly along the inner beam.

Material: Our slides are processed with milling, from cold drawn material in quality C45E+C in accordance with EN10277. Standard ball cages are manufactured from zinc plated sheet metal. Standard balls used are carbon steel C85, G100 in accordance with DIN 5401

'UK Company, Global Reach'

STR100



Mounting details
Refer to drill table hole pitches

Part Number	Installation Length "L"	Extension Length "D"	Load Per Pair (kg)	Drill Table		
				"A"	"B"	"C"
				4015.STR100.1050	1050	1050
4015.STR100.1100	1100	1100	240	50	425	
4015.STR100.1150	1150	1150	235	50	450	
4015.STR100.1200	1200	1200	230	50	475	
4015.STR100.1250	1250	1250	225	50	500	
4015.STR100.1300	1300	1300	220	50	525	
4015.STR100.1350	1350	1350	215	50	550	
4015.STR100.1400	1400	1400	210	50	575	
4015.STR100.1450	1450	1450	200	50	600	
4015.STR100.1500	1500	1500	190	50	625	
4015.STR100.1550	1550	1550	180	50	650	
4015.STR100.1600	1600	1600	170	50	675	
4015.STR100.1650	1650	1650	150	50	700	
4015.STR100.1700	1700	1700	130	50	725	
4015.STR100.1750	1750	1750	110	50	750	
4015.STR100.1800	1800	1800	90	50	775	
4015.STR100.1850	1850	1850	80	50	800	
4015.STR100.1900	1900	1900	70	50	825	
4015.STR100.1950	1950	1950	60	50	850	
4015.STR100.2000	2000	2000	50	50	875	

Options: Various dimensions of the main profile, slide lengths, extensions, drillings and hole centres to customer requirements



We recommend use the major axis, do not dismantle the slide! The maximum safe load is given for a fully extended pair of slides, mounted on the major axis, with a load spread uniformly along the inner beam.

Material: Our slides are processed with milling, from cold drawn material in quality C45E+C in accordance with EN10277. Standard ball cages are manufactured from zinc plated sheet metal. Standard balls used are carbon steel C85, G100 in accordance with DIN 5401

'UK Company, Global Reach'