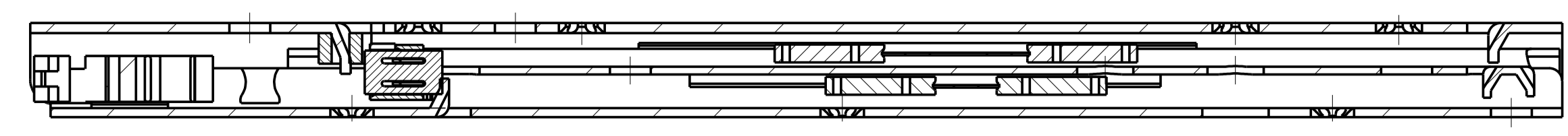
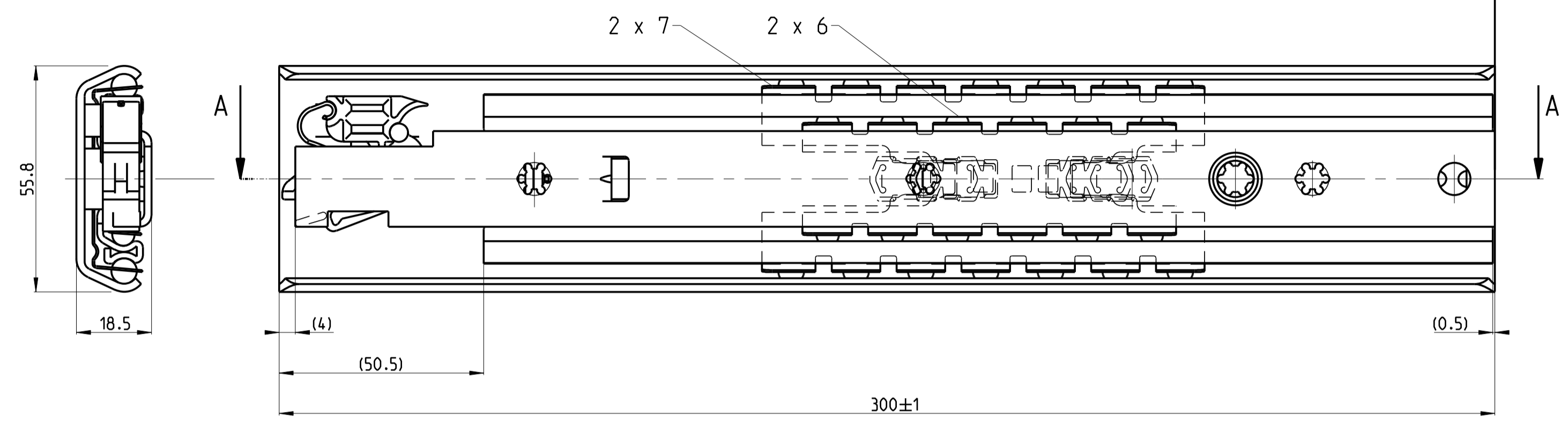


T 1-2 = 137.5  
T 2-3 = 147.5

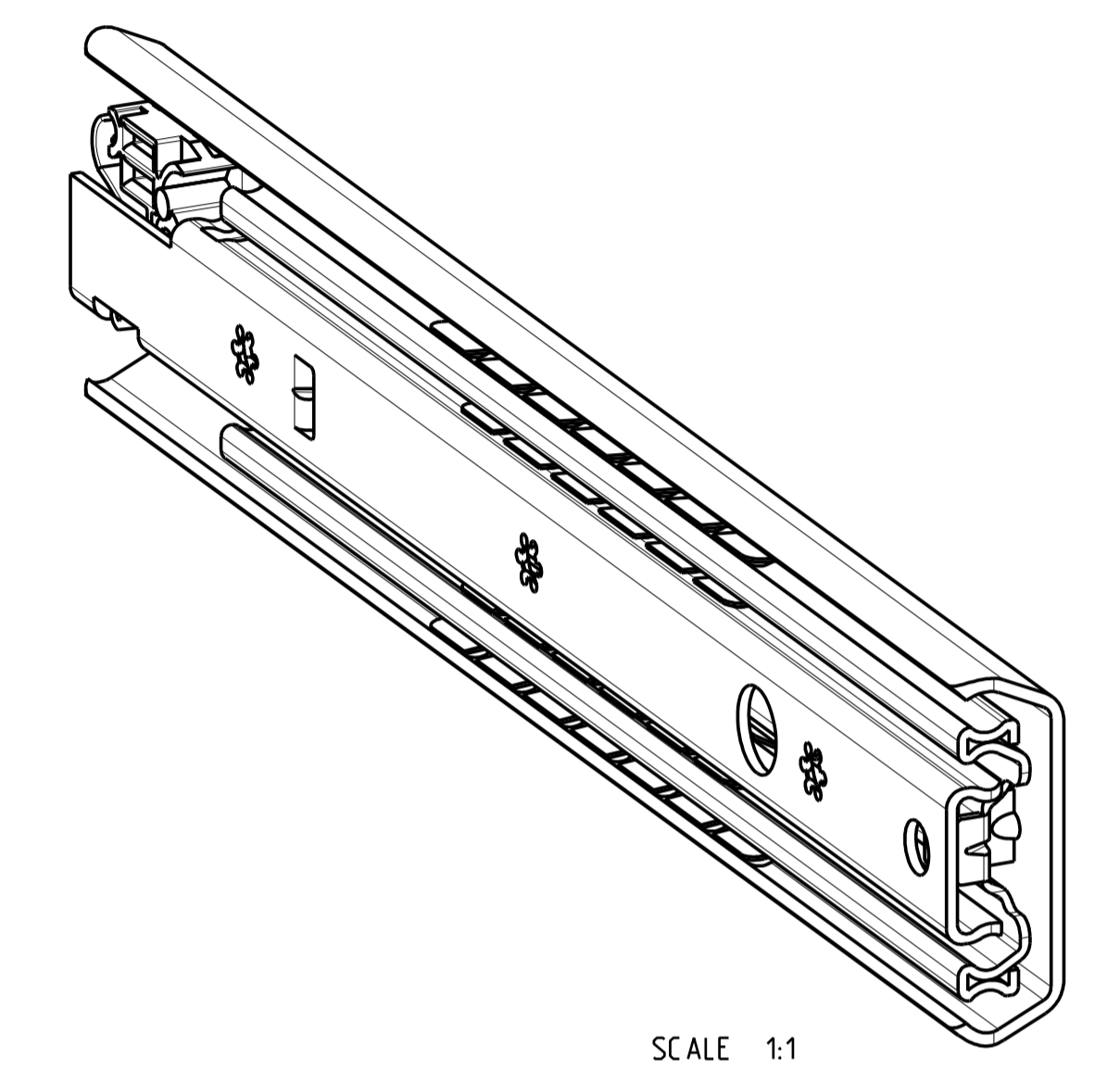


SECTION A-A

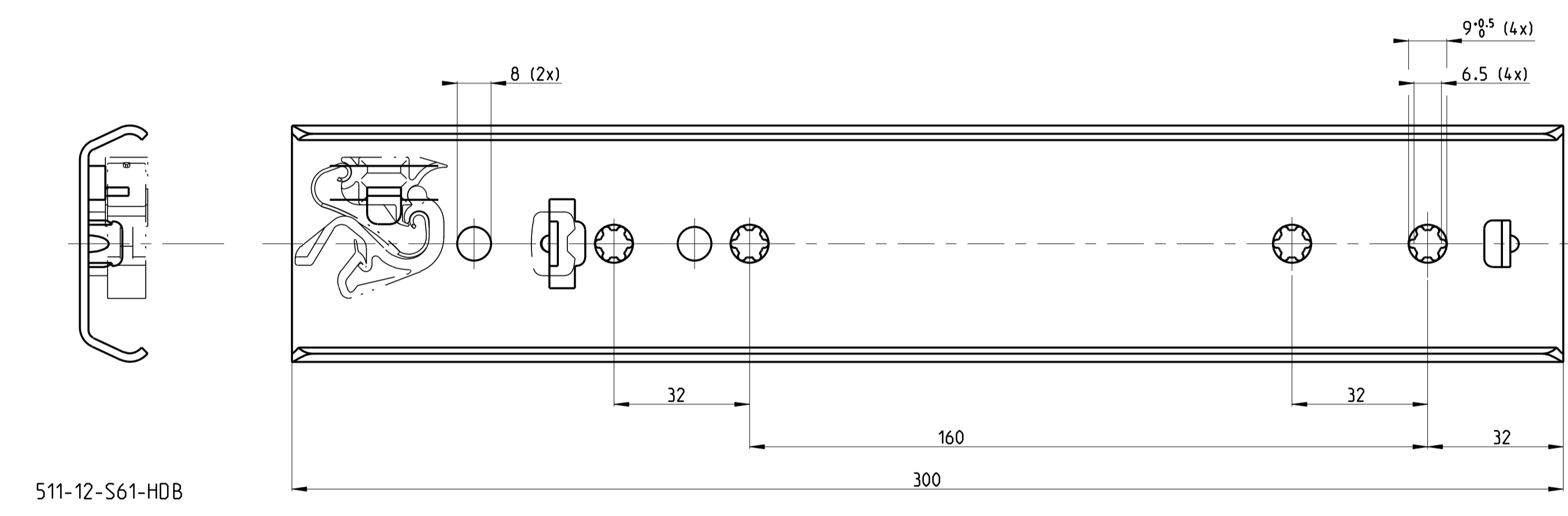
EXTENSION  $285 \pm 4$  mm



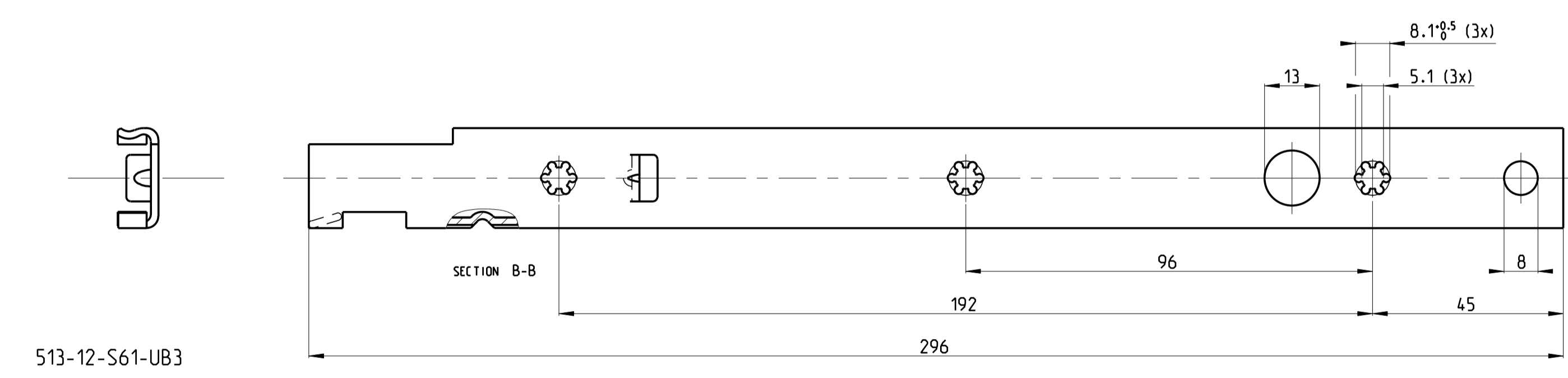
FRONT



SCALE 1:1



511-12-S61-HDB



513-12-S61-UB3

PRO/ENGINEER Drawing Was: - 112-F91-01	Dimensions between marks are guide dimensions. Tolerances unless otherwise stated $\pm 0.5$ mm.	Thomas Regout Int. B.V. reserves the right to alter non-customer specific specifications without notice.
American projection	DIMENSION mm	MAT.: -
SCALE 1:1	DATE 09-11-2011	DESIGNER M. Mahieu
CHECKED -	REVISIONS	REMARKS: RIGHT HAND SLIDE = LEFT HAND SLIDE
ULF HD 300.0 / 285.0 (18.5mm)		
		Drw. Nr. 112-S61 _ 00
© Thomas Regout International BV All rights are reserved.		Format. A1 Production

04	-	-	-	-	05	-	-	-	-	06	-	-	-	-
01	-	-	-	-	02	-	-	-	-	03	-	-	-	-