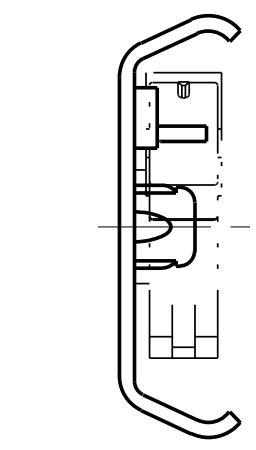
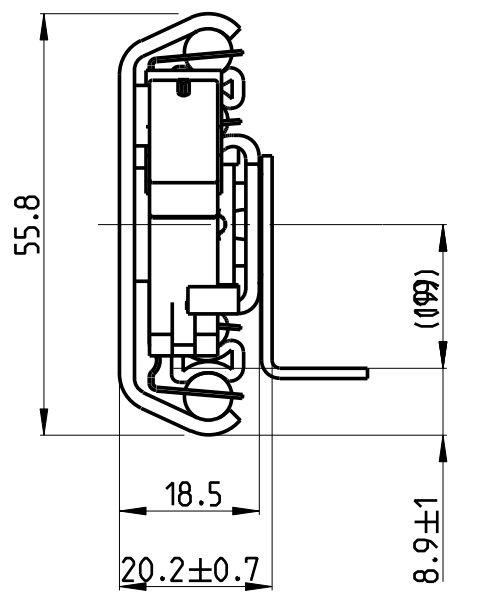
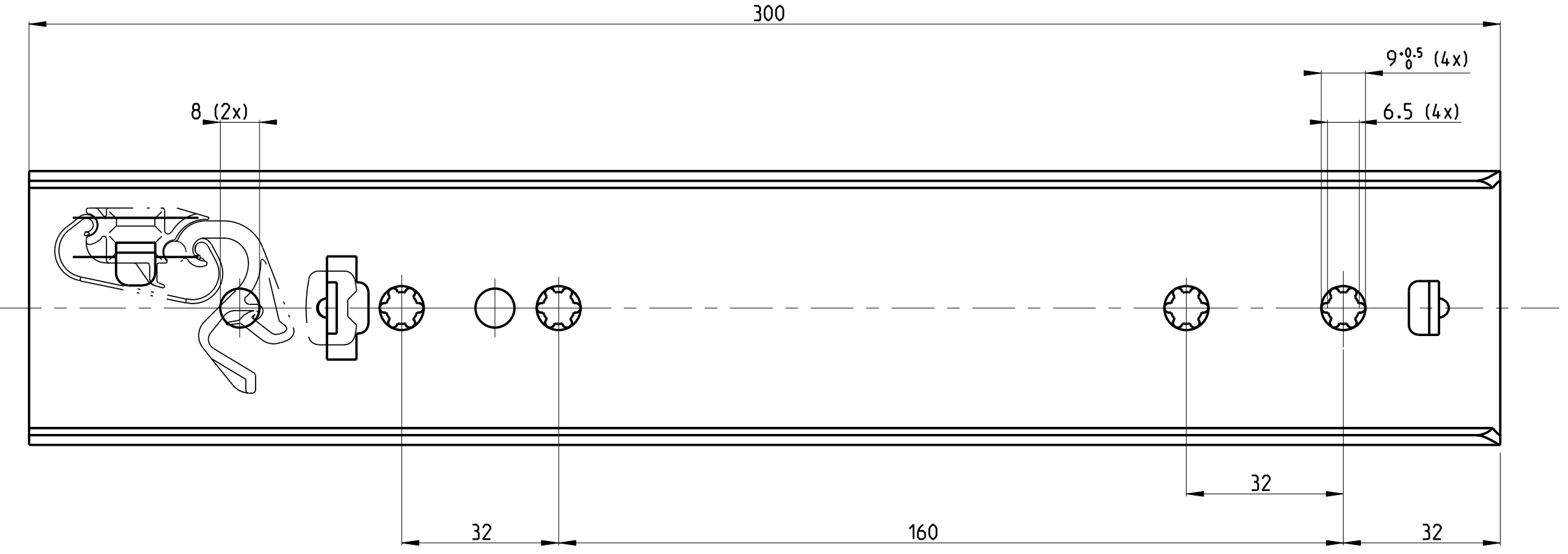
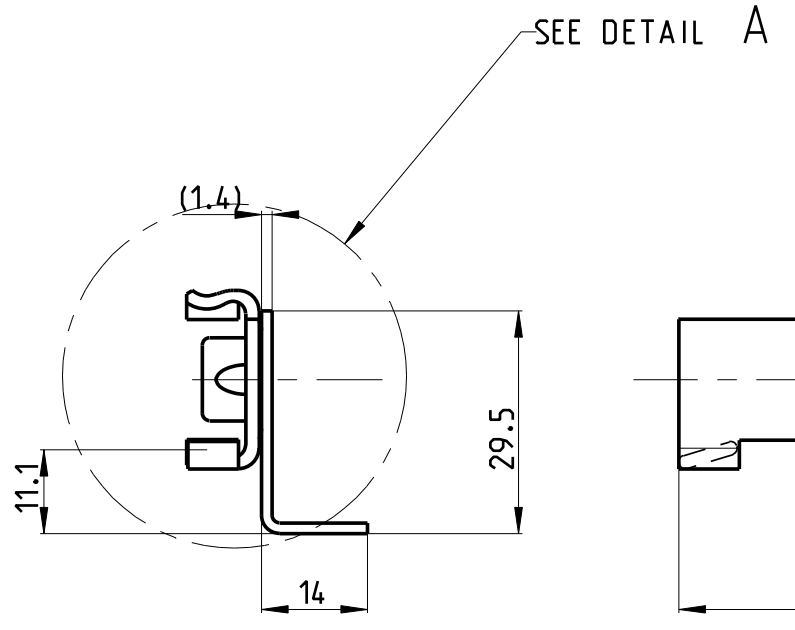


T 1-2 = 137.5
T 2-3 = 147.5

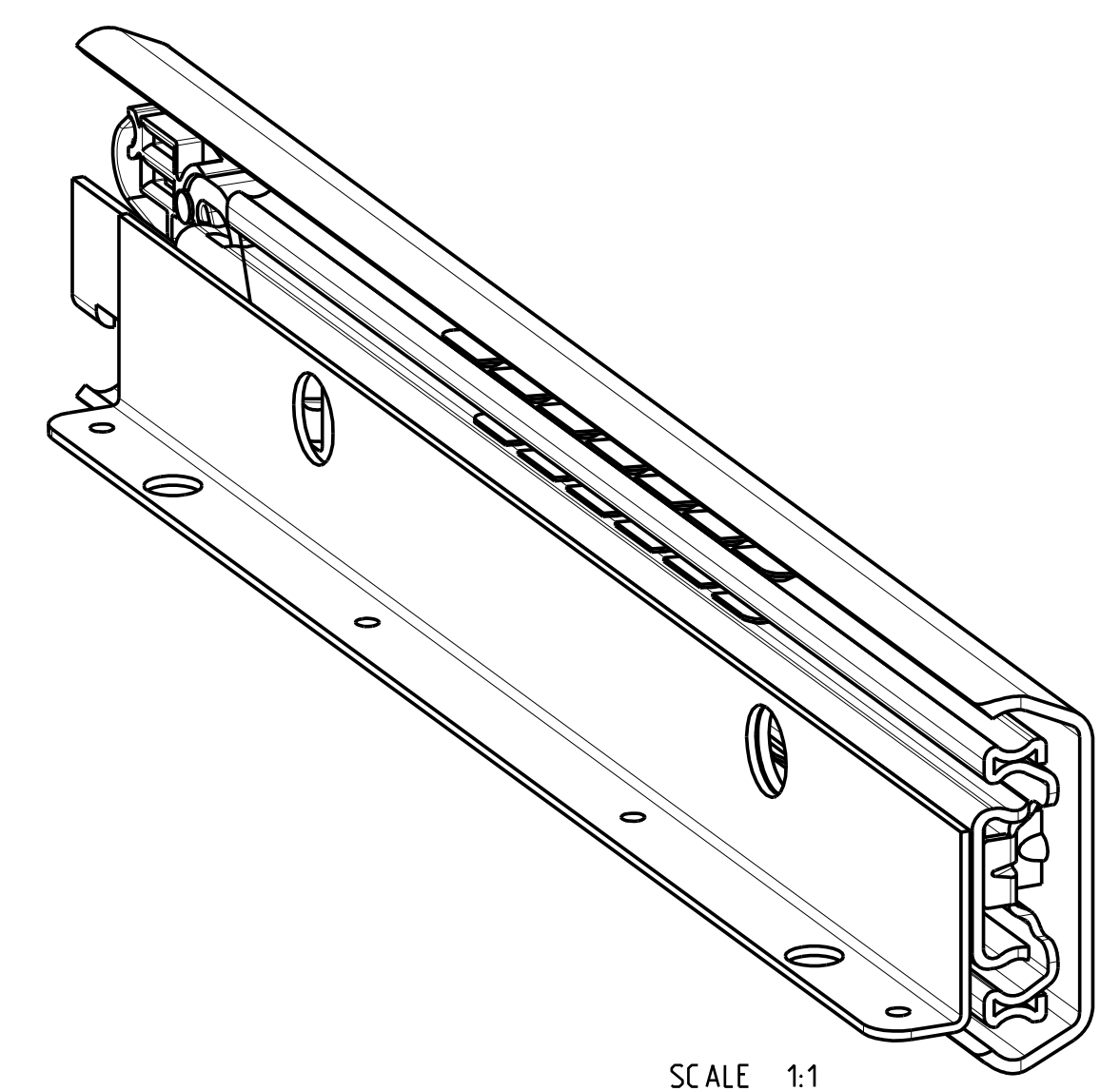
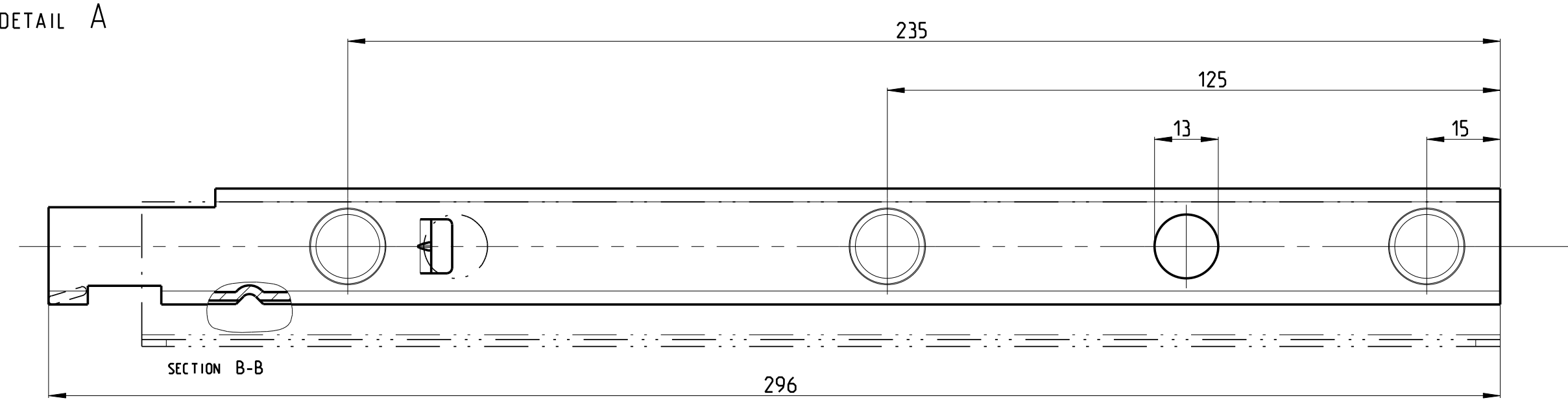


511-12-S41-HDB

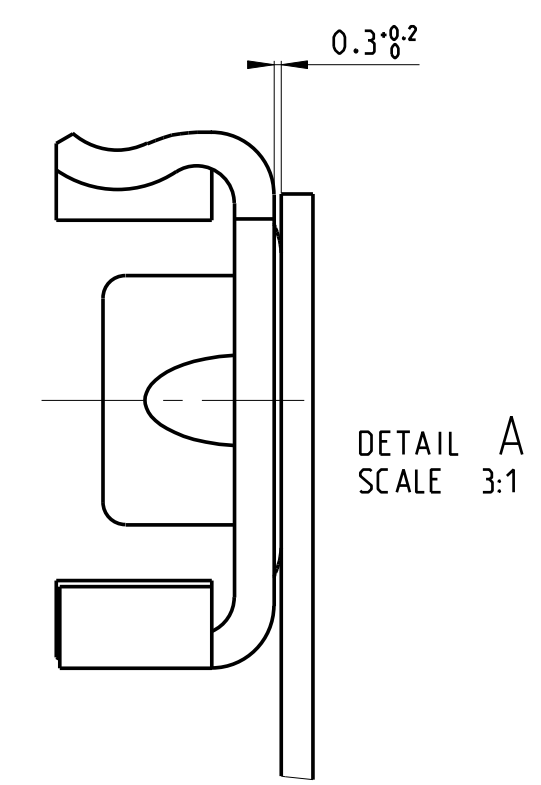
513-12-S41-UB3



FRONT



SCALE 1:1



DETAIL A
SCALE 3:1

PRO/ENGINEER Drawing Was: - -	Dimensions between marks are guide dimensions. Tolerances unless otherwise stated ±0.5mm.	Thomas Regout Int. B.V. reserves the right to alter non-customer specific specifications without notice.
American projection	DIMENSION mm	MAT.: -
SCALE 1:1	DATE 26-10-2011	DESIGNER J. Schreurs
CHECKED -		
REM.: RIGHT HAND SLIDE IS SHOWN PART LEFT HAND SLIDE IS OPPOSITE PART FAILSAFE: RIGHT HAND SLIDE IS LEFT HAND SLIDE TYPE E		
ULF HD 300.0 / 285.0 (18,5mm)		
		Drw. Nr. 112-S41 _ 00
© Thomas Regout International BV All rights are reserved.		Format. A1 Production

04	-	-	-	05	-	-	-	06	-	-	-	-
01	-	-	-	02	-	-	-	03	-	-	-	-