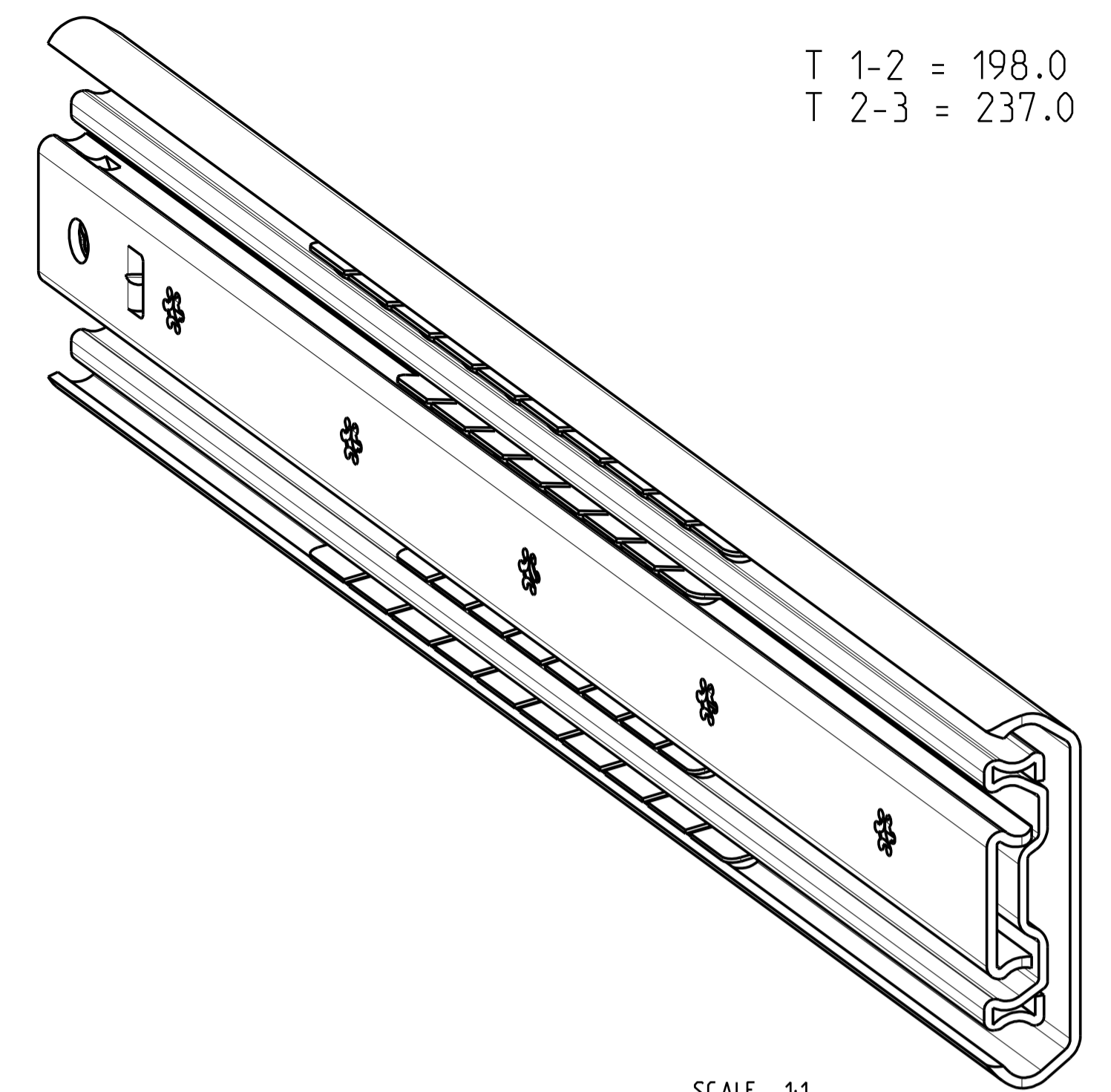
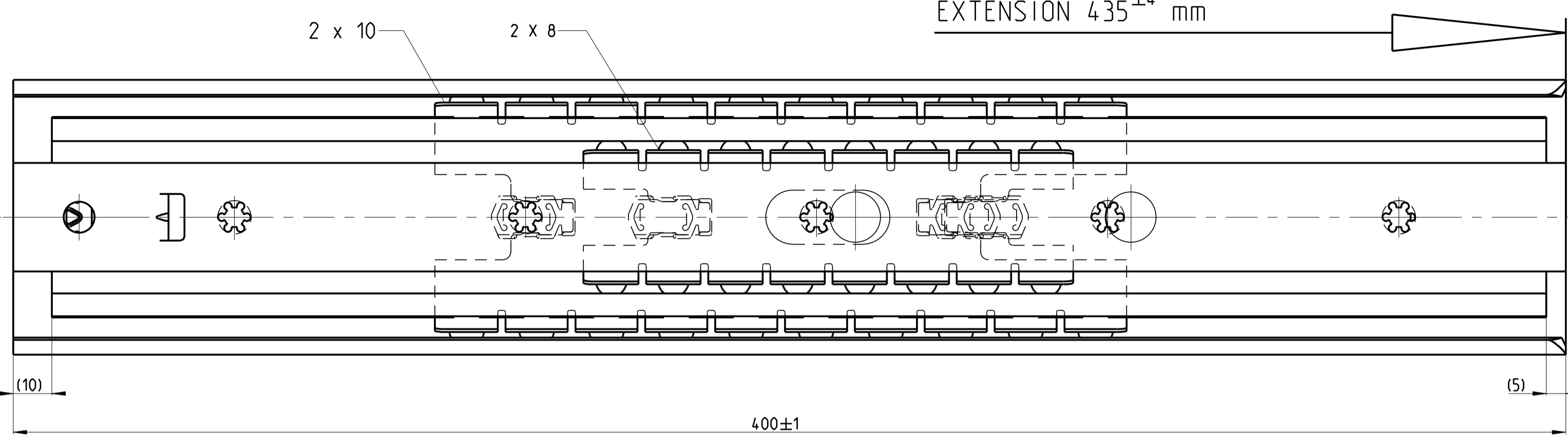
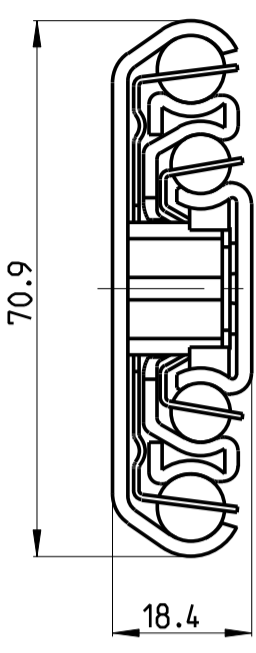


SECTION A-A

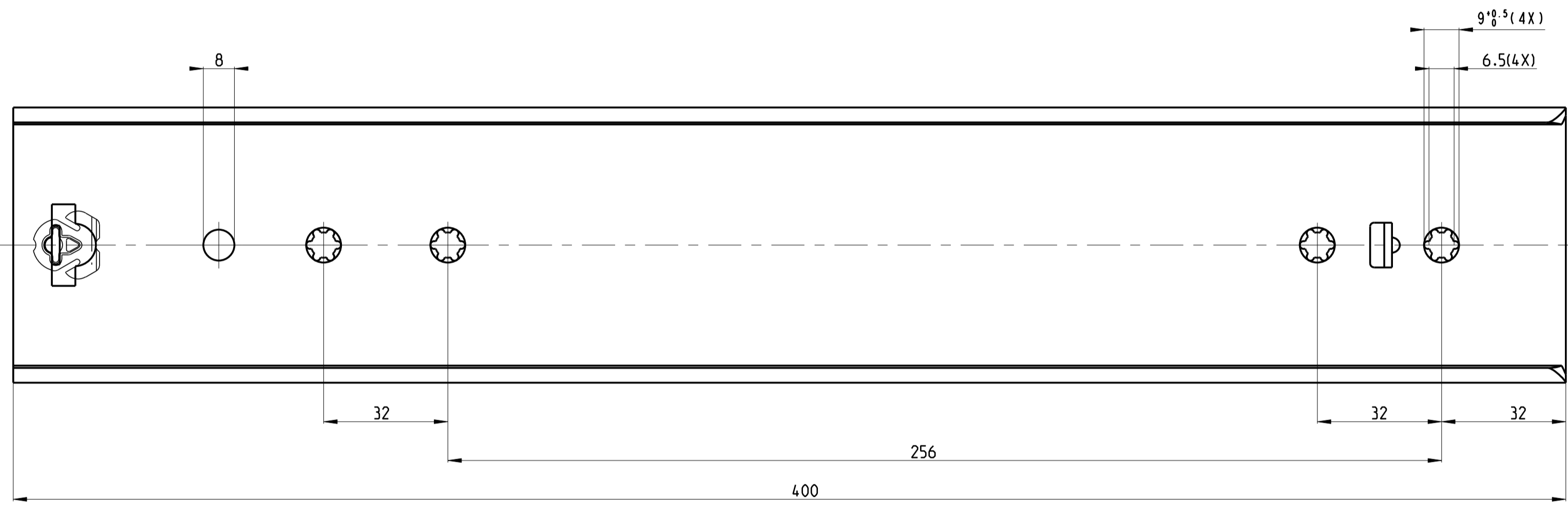
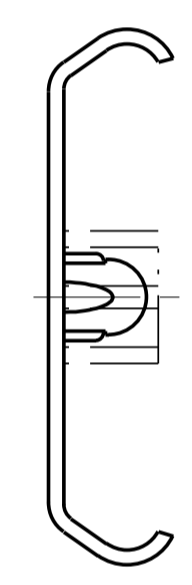
EXTENSION 435 ± 4 mm



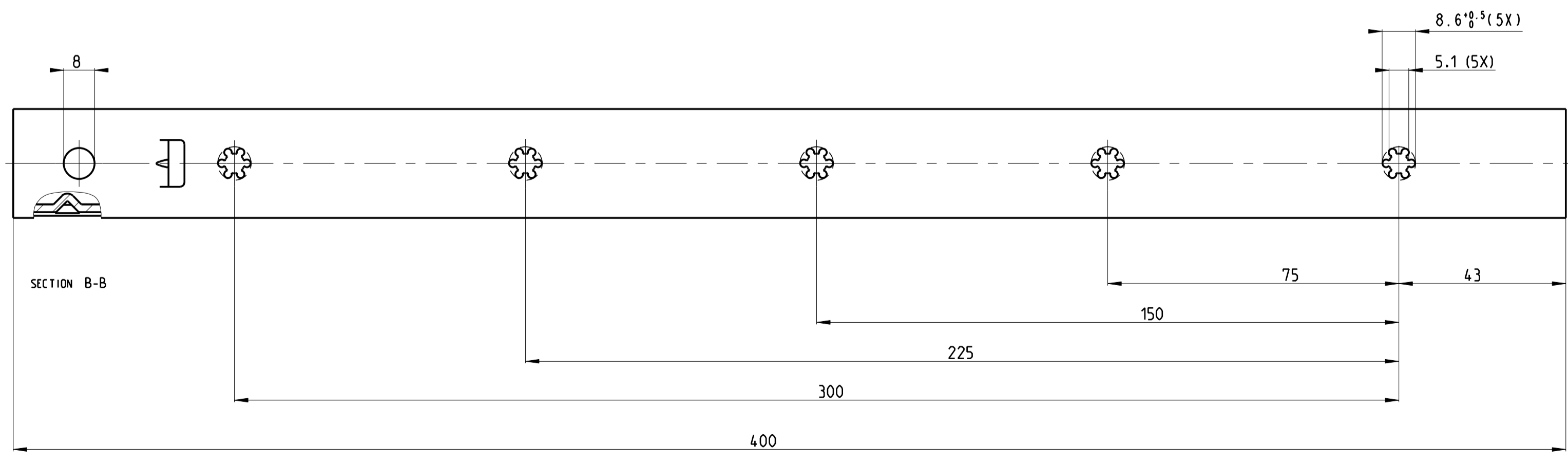
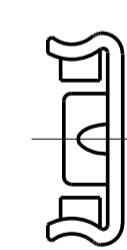
T 1-2 = 198.0
T 2-3 = 237.0

SCALE 1:1

FRONT



511-01-S23-TA1



SECTION B-B

513-01-S23-TA3

PRO/ENGINEER Drawing		Dimensions between marks are guide dimensions.		Thomas Regout Int. B.V. reserves the right to alter non-customer specific specifications without notice.	
Was: - 101-522-03		Tolerances unless otherwise stated ± 0.5 mm.			
American projection	DIMENSION	mm	MAT.:	-	
	SCALE	1:1	REM.:	RIGHT HAND SLIDE = LEFT HAND SLIDE	
	DATE	22-08-2011			
	DESIGNER	M. Mahieu		TYPE D	
	CHECKED	-			
TITAN 400,0 / 435,0 (18,5mm)					
THOMAS REGOUT INTERNATIONAL BV			Drw. Nr.	Format.	
			101-S23 _ 00	A1	
© Thomas Regout International BV All rights are reserved. Production					

04	-	-	-	05	-	-	-	-	06	-	-	-	-
01	-	-	-	02	-	-	-	-	03	-	-	-	-