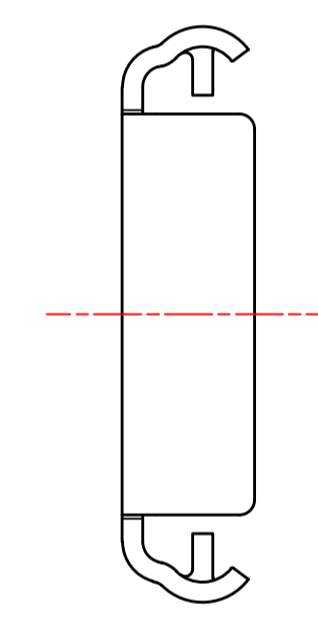
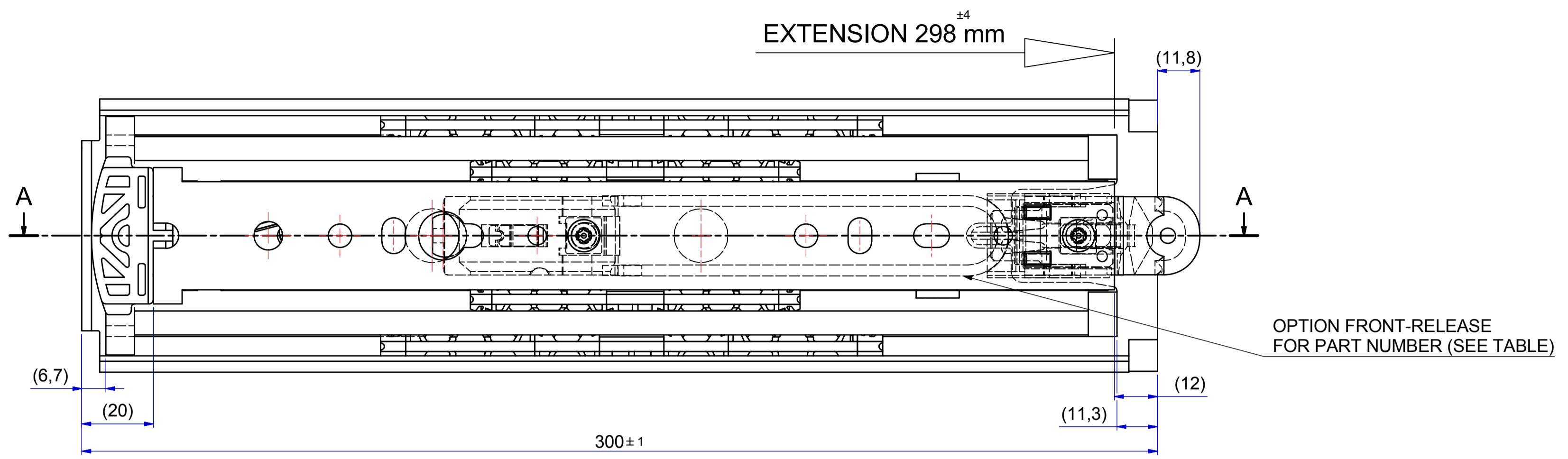
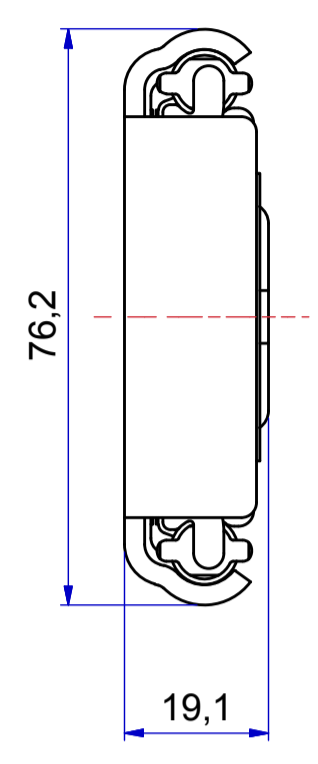
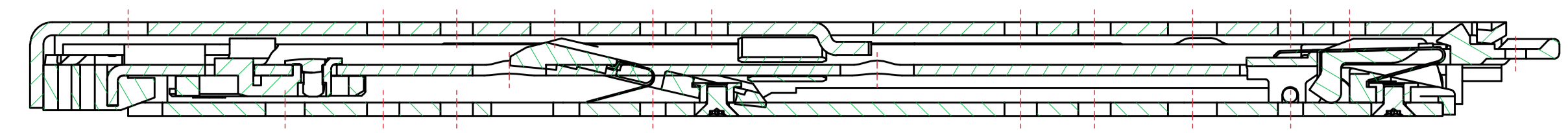
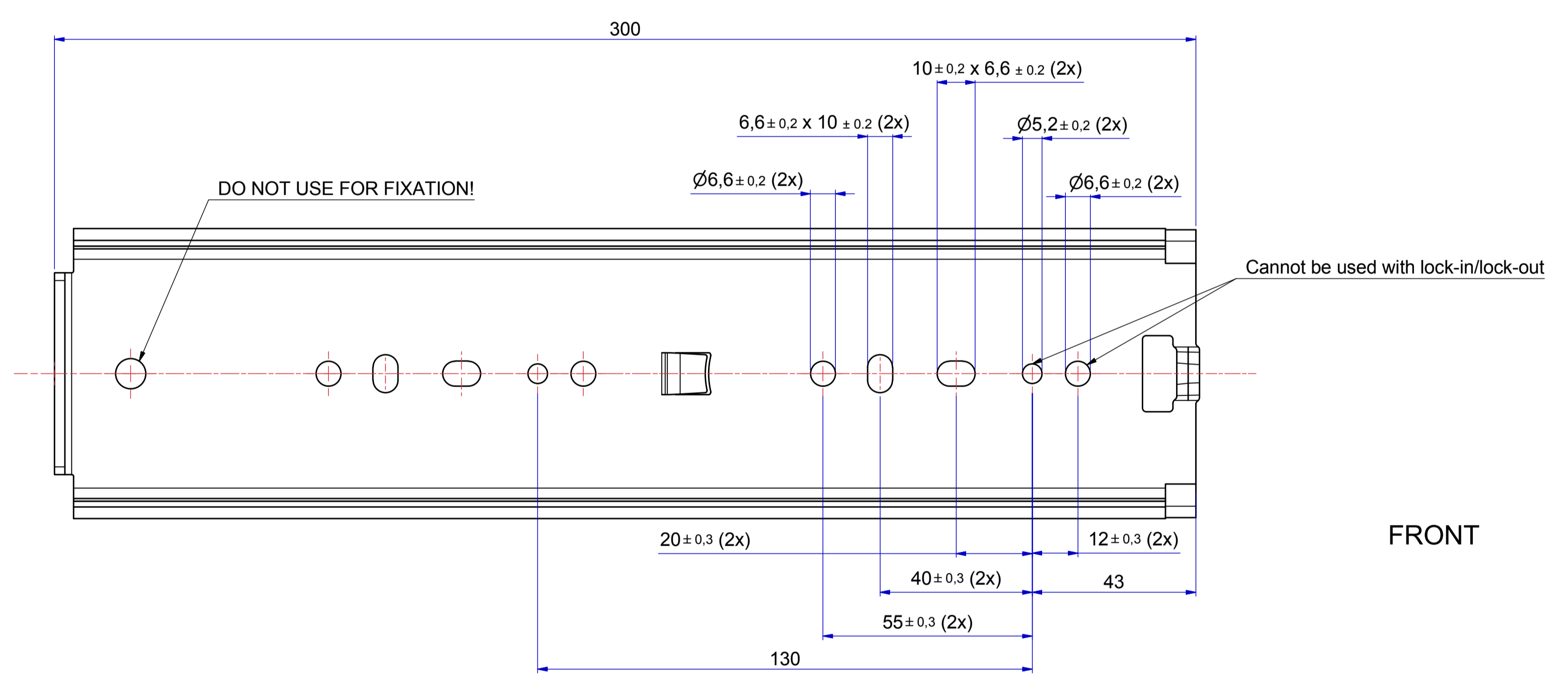


T 1-2 = 137,3 mm
T 2-3 = 160,7 mm

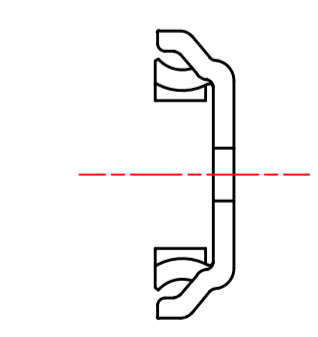
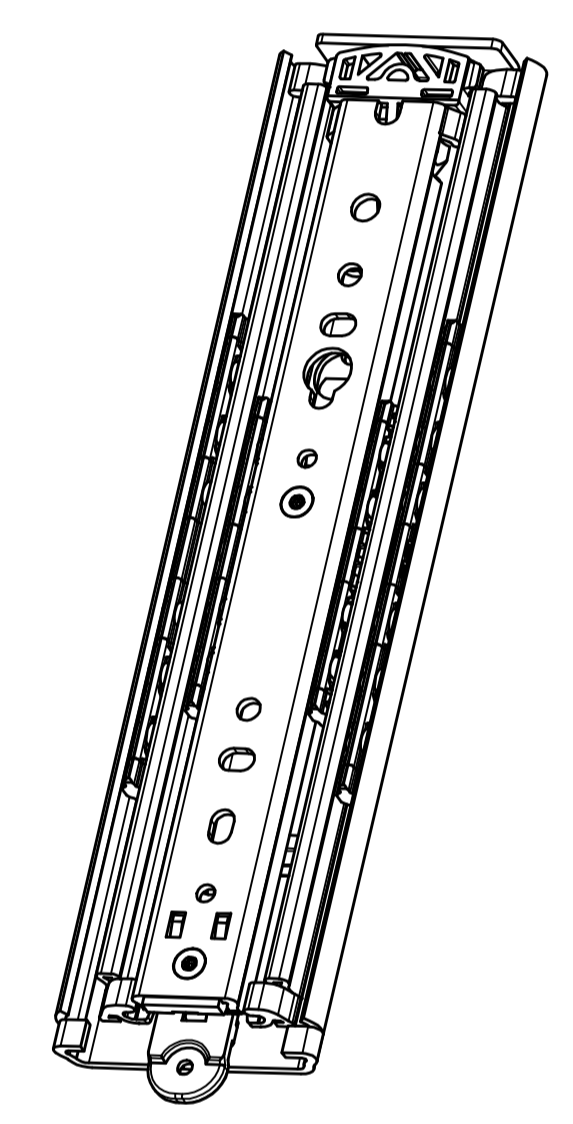
A-A (1:1)



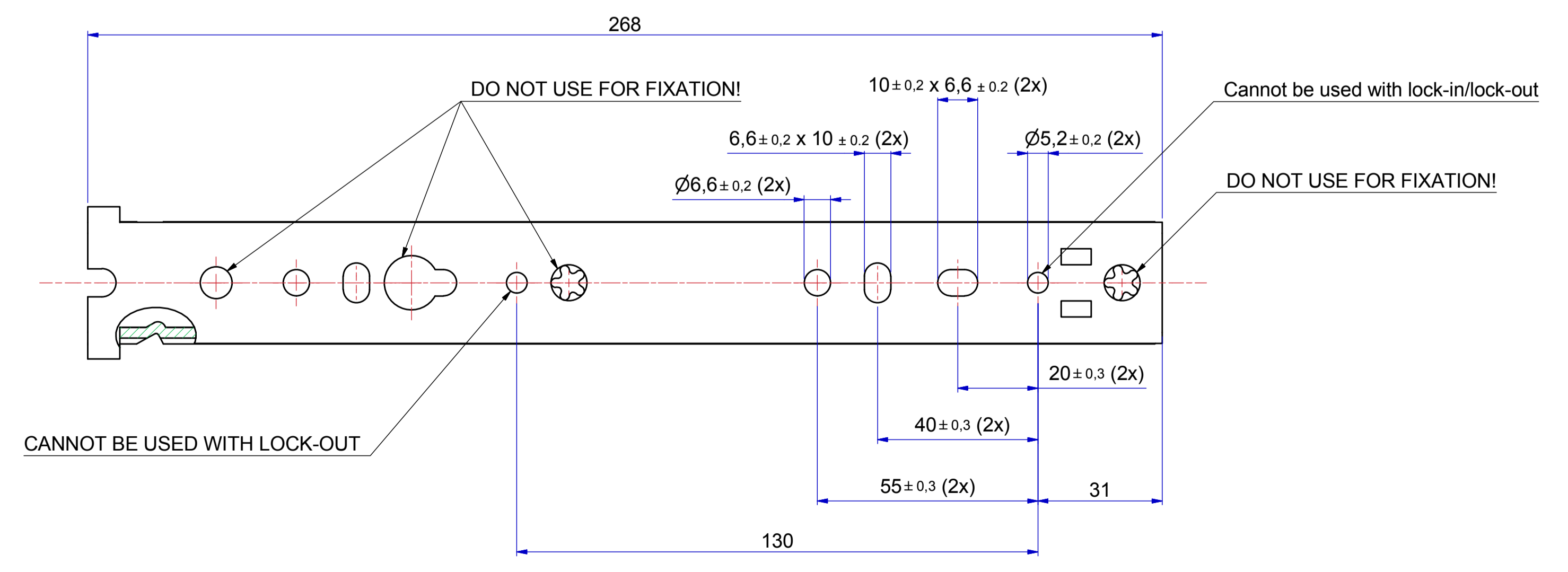
511-14-S01-TC1



FRONT



513-14-S01-TC3



PRODUCTION

RIGHT HAND SLIDE = LEFT HAND SLIDE

Dimensions between marks are guide dimensions.
Thomas Regout Int. B.V. reserves the right to alter non-customer specific specifications without notice.

Designer	R. Groen	Gen.Tol.Dim.	± 0,5	Third angle projection	Material
Date	10-6-2013	Gen.Tol.Angle	± 0,5		Treatment
Approver		Gen.Roughness	Ra		Draw type
Date	11-06-2013	Units	mm/deg.	Scale	1 : 1
Description				Type	Model No.
TR7619 300 / 298 (19,1)					E000012302
					E000012303

Format	A1	Item No.	114-S01	Revision	02
--------	----	----------	---------	----------	----

© THOMAS REGOUT INTERNATIONAL BV, Industrieweg 40, 6219 NR, Maastricht, The Netherlands, +31 (0)43 351 66 66 All rights are reserved.

02	28-09-2015	Modified Thickness 18,9 --> 19,1 (As build)	R.Schreurs
02	04-12-2013	Stopsysteem tov. front-release gewijzigd	MP
01	11-06-2013	Stopsysteem gewijzigd t.b.v. Front-Release	MP
Rev	Date	Description	Designer

	STANDARD	LOCK-IN	LOCK-OUT	LOCK-IN & LOCK-OUT & FRONT-RELEASE
PART NUMBER	114S01	114S01A	114S01B	114S01D